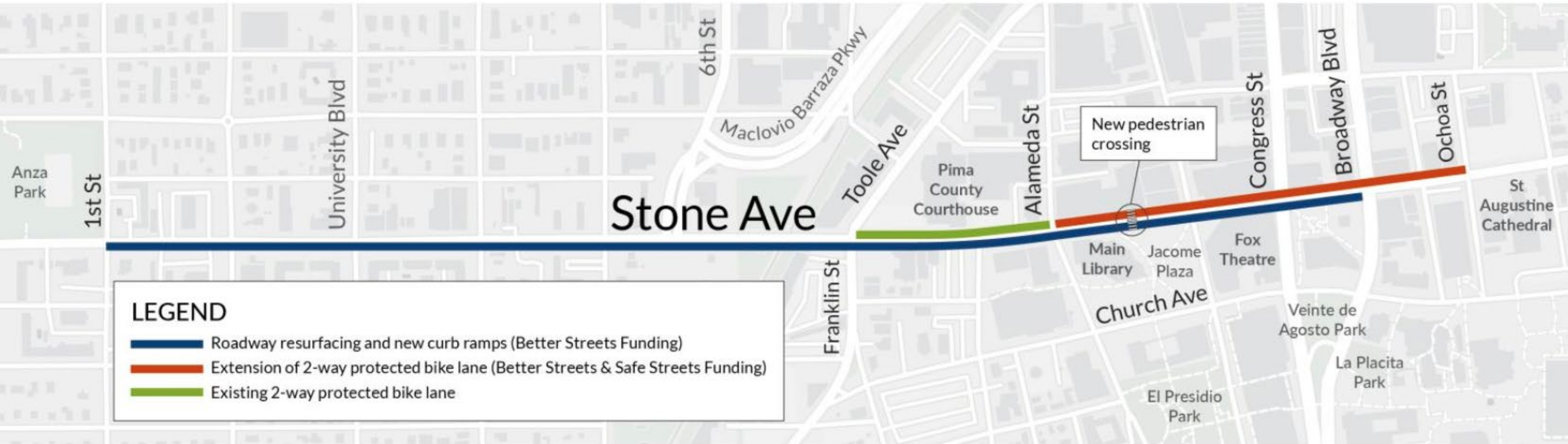


Stone Ave Complete Street Project



Project Location



Project Goals



Improve safety for everyone who uses the street, including people walking, biking and driving



Make it more comfortable and convenient to access downtown destinations by bicycle



Ensure efficient vehicle operations



Improve pavement condition



Address ADA deficiencies, improve the pedestrian experience, and provide new crossing opportunities

Project Goals



Improve safety for everyone who uses the street, including people walking, biking and driving



Make it more comfortable and convenient to access downtown destinations by bicycle



Ensure efficient vehicle operations



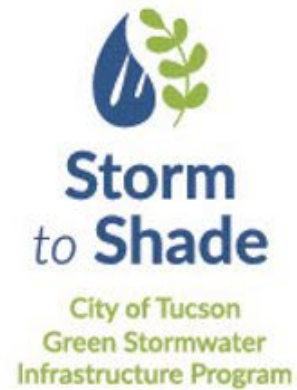
Improve pavement condition



Address ADA deficiencies, improve the pedestrian experience, and provide new crossing opportunities

**Add Green
Stormwater
Infrastructure**

Green Stormwater Infrastructure?

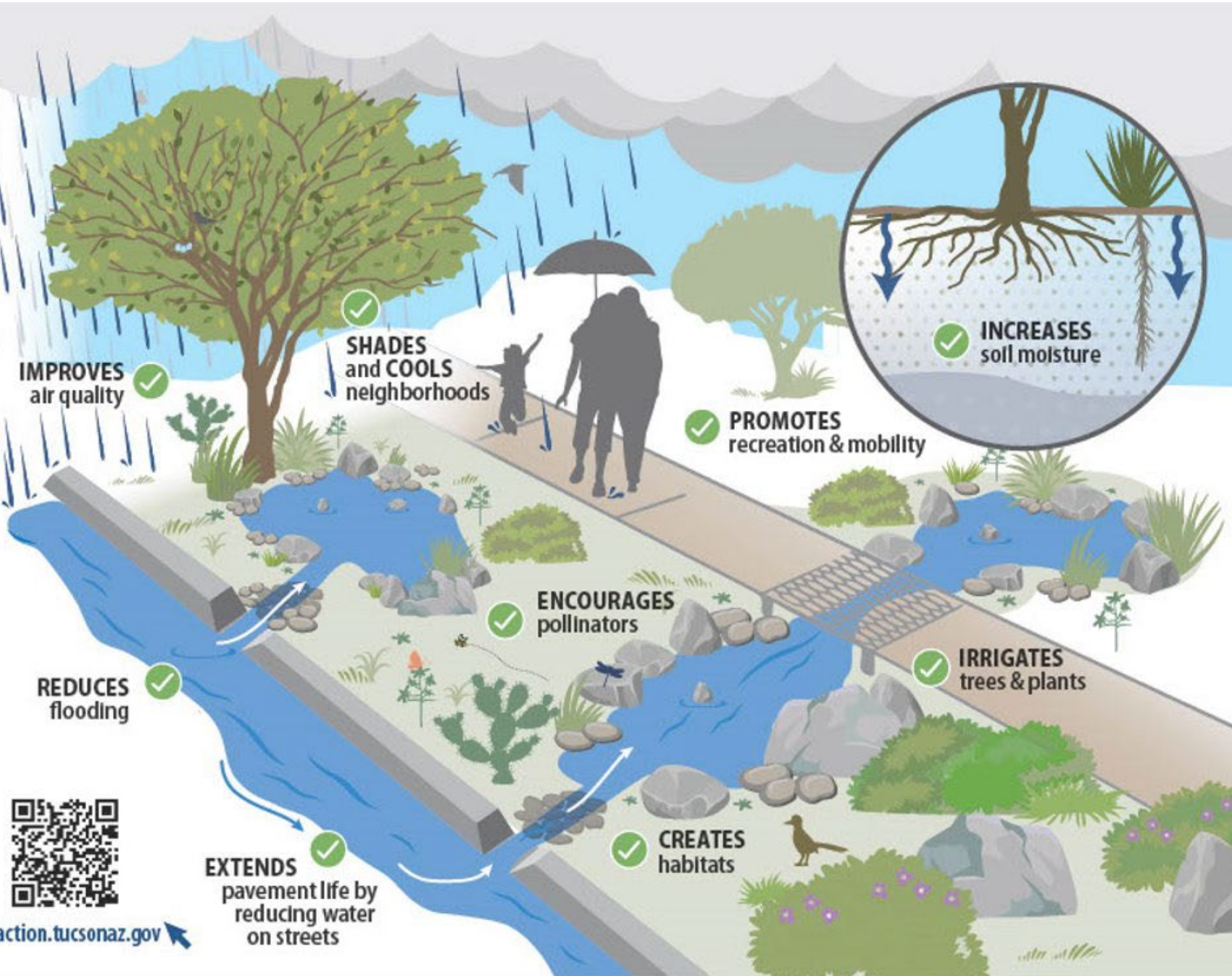


What is GSI?

Green Stormwater Infrastructure (GSI) directs stormwater runoff from streets, parking lots, and rooftops into landscaped areas where it infiltrates the soil to support vegetation.

Find GSI at

- ✓ Parks
- ✓ Greenways
- ✓ Neighborhood streets
- ✓ Bike boulevards
- ✓ Public parking lots
- ✓ Traffic circles



climateaction.tucsonaz.gov

Project Funding

Department of Transportation & Mobility



Tucson Water



Storm
to **Shade**

Project Elements



2-way protected bike lane



Dedicated left turn lanes



On-street parking/loading



New pedestrian crossing

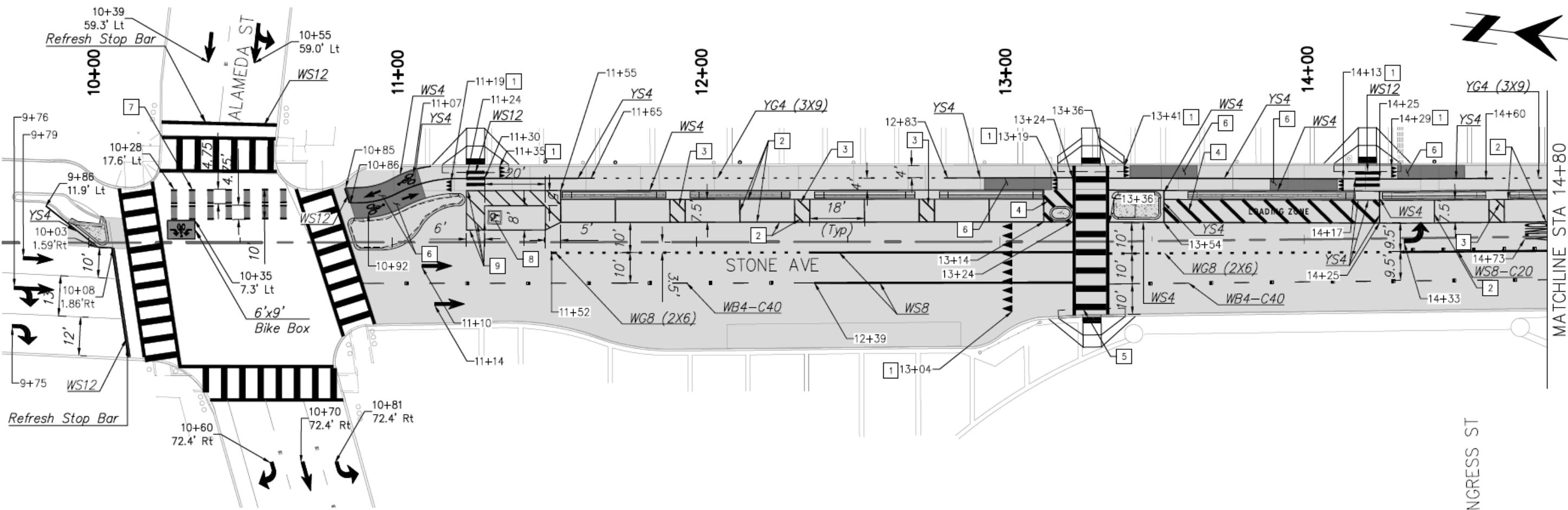


Curb ramp upgrades

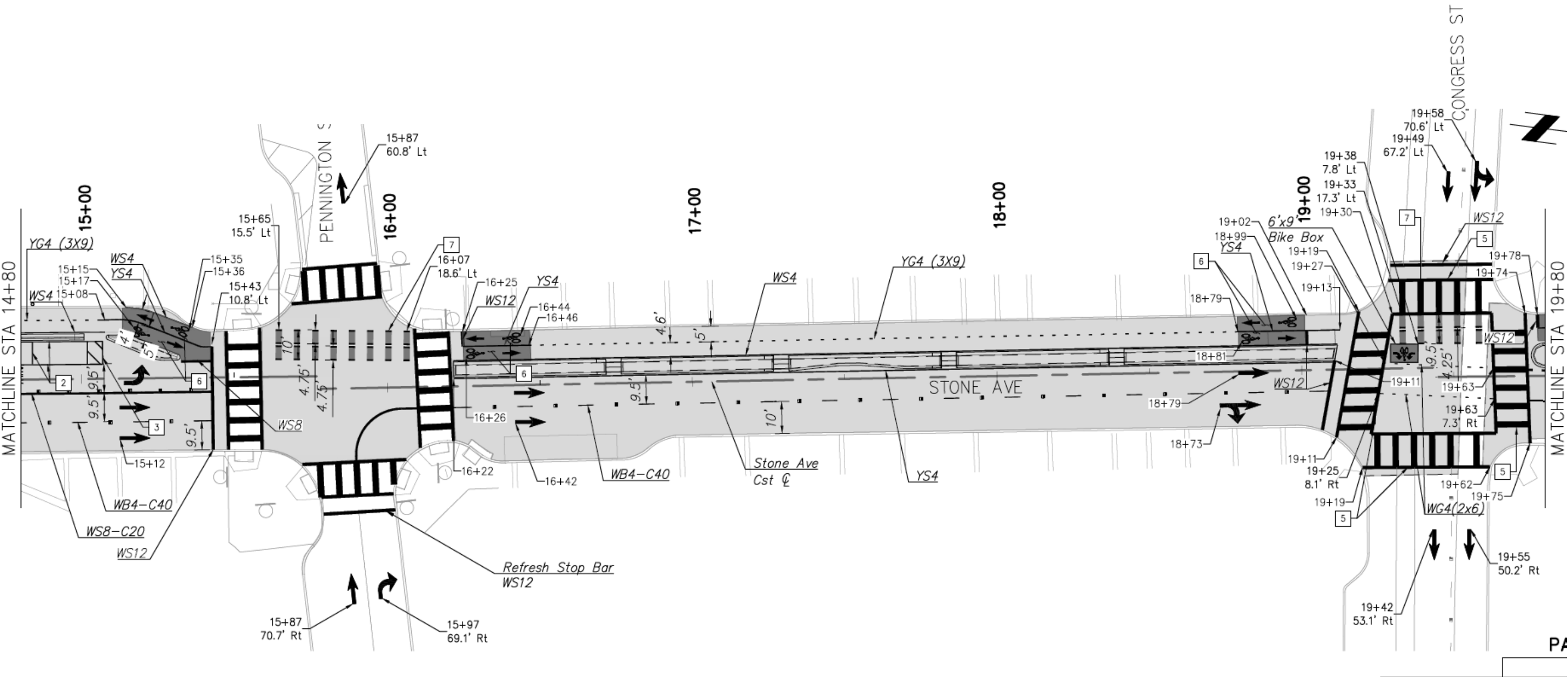


Green Stormwater Infrastructure

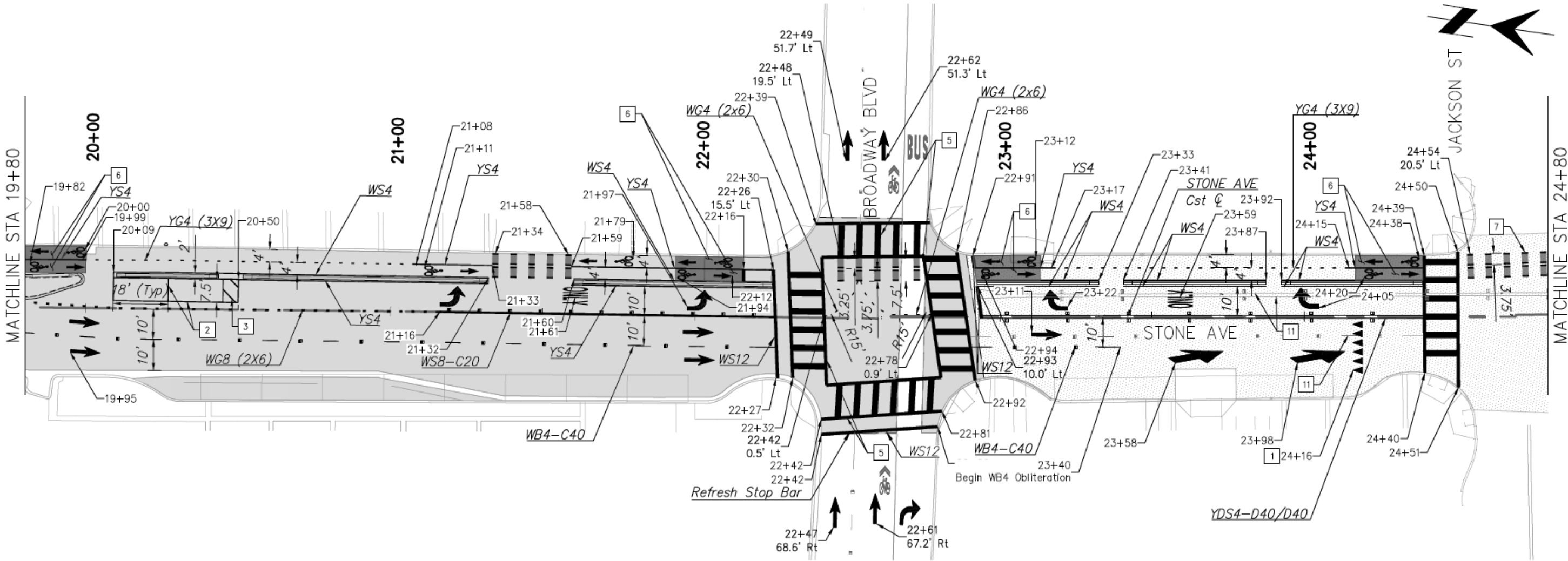
Project Design



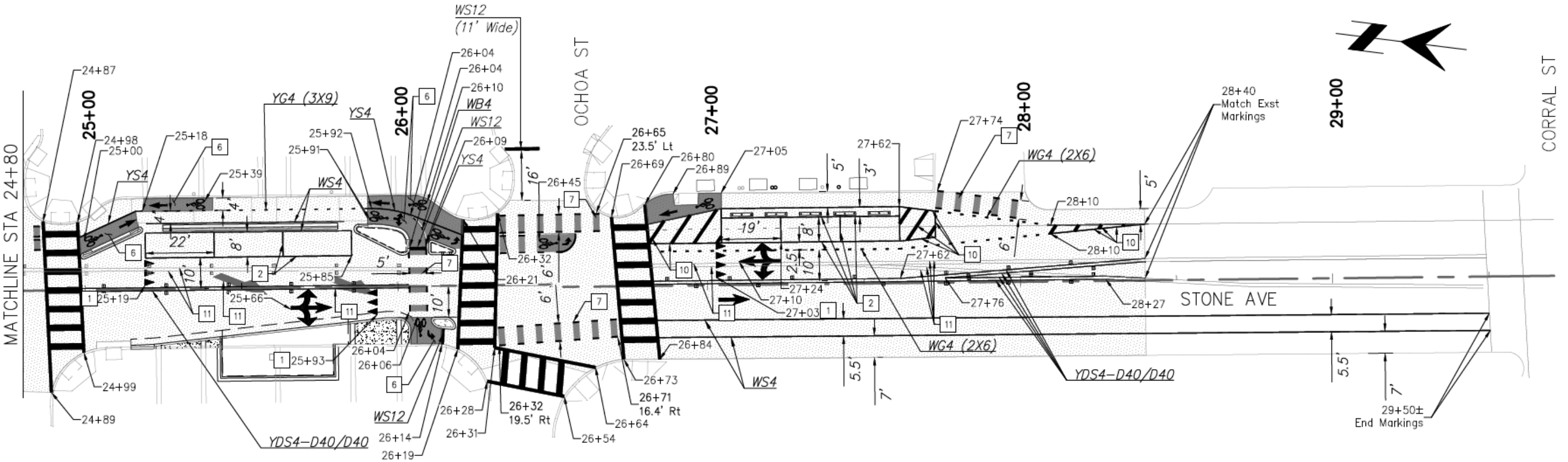
Project Design



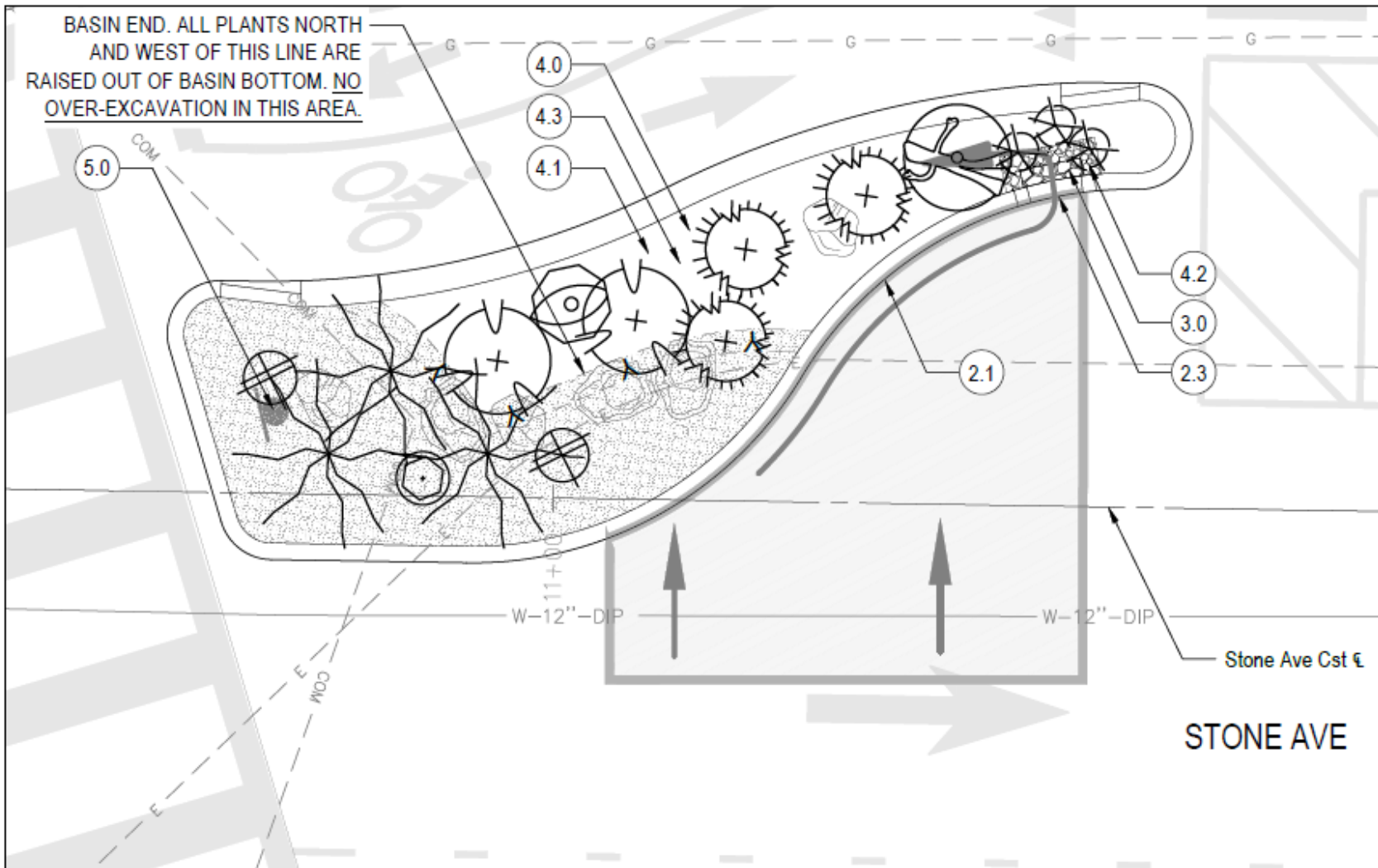
Project Design



Project Design



Project Design



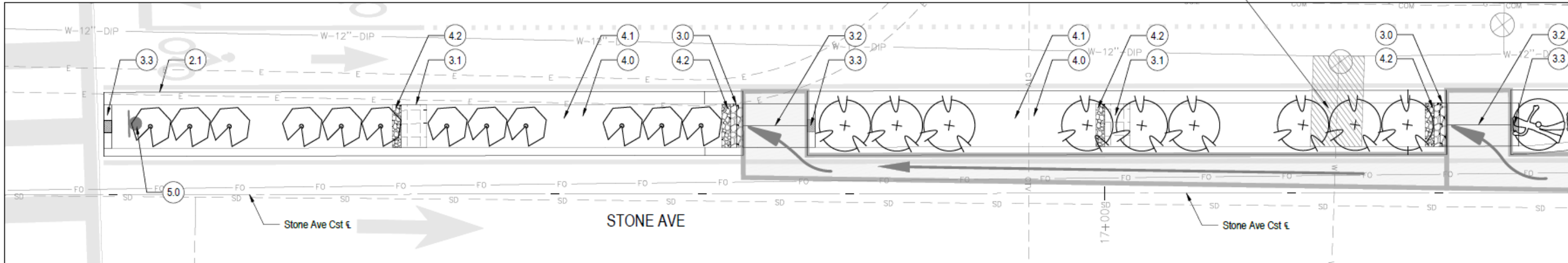
PLANT SCHEDULE

SYMBOL	BOTANICAL NAME COMMON NAME
	<i>Carnegiea gigantea</i> Saguaro
	<i>Calliandra eriophylla</i> Fairy Duster
	<i>Ericameria laricifolia</i> Turpentine Bush
	<i>Isocoma tenuisecta</i> Burrow's Goldenthread
	<i>Justicia californica</i> Chuparosa
	<i>Parthenium incanum</i> Mariola
	<i>Trichloris crinita</i> False Rhodes Grass

	<i>Carnegiea gigantea</i> Saguaro
	<i>Ferocactus wislizeni</i> Fishhook Barrel
	<i>Fouquieria splendens</i> Ocotillo
	<i>Jatropha cardiophylla</i> Limberbush
	<i>Nolina microcarpa</i> Bear Grass

GSI AREA 1

Project Design



GS1 AREA 4

PLANT SCHEDULE

	<i>Ericameria laricifolia</i> Turpentine Bush
	<i>Justicia californica</i> Chuparosa

GS1 PRACTICES

SYMBOL	ITEM	KEYNOTE
	Flow Dissipater (Hand-Placed Rip Rap)	3.0
	Boulder Check Dam	3.1
	Valley Gutter	3.2
	Curb + Spillway	3.3
	Flush Curb Inlet	3.4

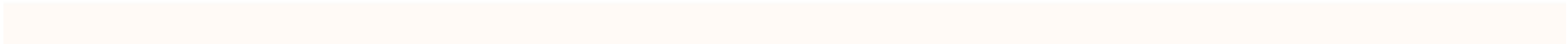
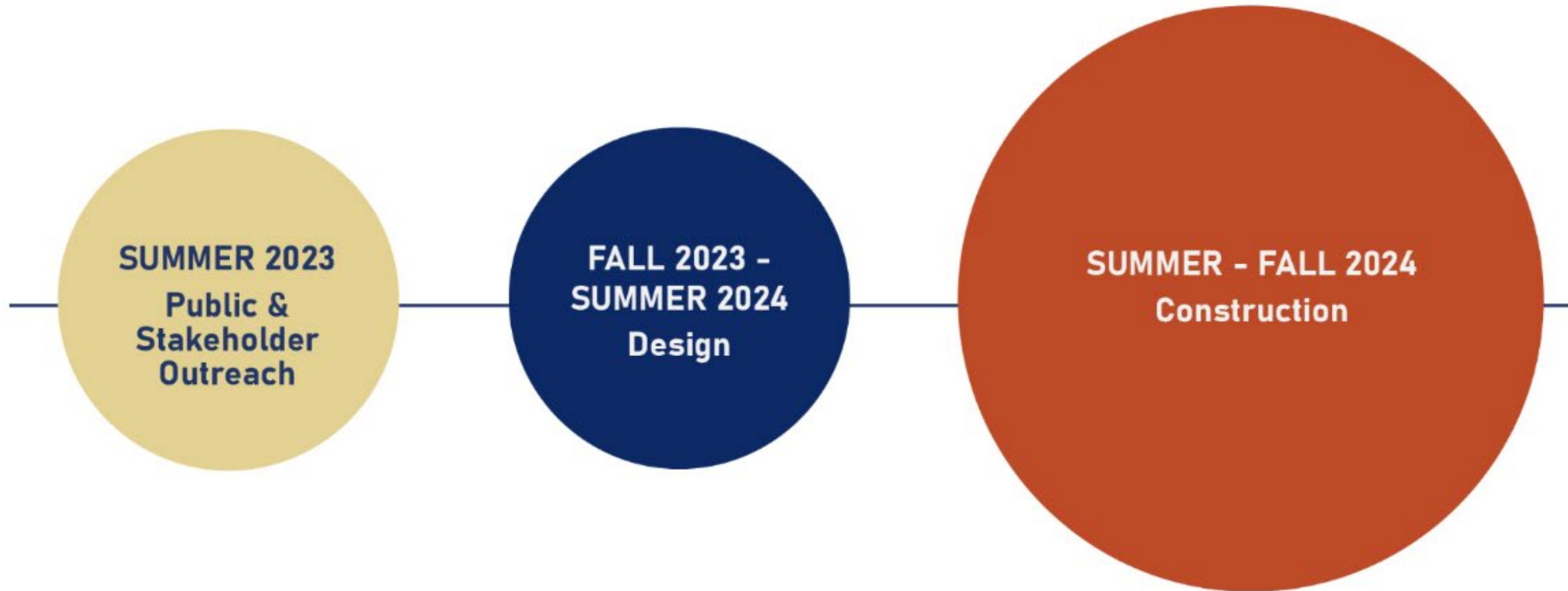
SOIL + GROUND COVER

SYMBOL	ITEM	KEYNOTE
Not Shown	Top Soil	4.0
Not Shown	Desert Carpet (Rock Mulch with Seed)	4.1
	Rock Mulch	4.2
Per Plan	Boulder	4.3

LINETYPES

SYMBOL	ITEM
	Stormwater Flow Direction
	Contributing Watershed
	Area within 2' horizontal of Waterline - PCCP removal only - maintain 3' of cover

Schedule



Questions?

