



## DESIGN REVIEW BOARD APPLICATION

Administered by:  
Design Review Board

Property Address\*: 340 -346 E Georgia Ave Memphis,tn38126

Applicant Name & Mailing Address: 10719 Alpharetta Hwy #1662 Roswell, Ga 30077

Applicant Phone Number: 4702958135 Applicant Fax Number: \_\_\_\_\_

Property Owner's Name & Mailing Address: GreenGlove Capital-10719 Alpharetta hwy #1662

Property Owner's Phone Number: 4702958135

The proposed work consists of the following (check all that apply):

- Sign  Renovation   
New Building  Other Exterior Alteration

Project Description:

Demolition and installation of new sidewalk, lighting and landscaping

Status of Project: I am in the process of choosing contractor(s).

**A complete application must be submitted to the Development Department no later than two weeks before a regularly scheduled meeting of the Design Review Board.** Please contact Abe Lueders at (901)575-0565 or [alueders@downtownmemphis.com](mailto:alueders@downtownmemphis.com) with any questions and to submit an application.

Owner/Applicant Signature: \_\_\_\_\_

Date: 12/27/2023

\*Applications for properties that are located within a Landmarks Historic District may require additional approval from the Landmarks Commission. Please contact the Shelby County Division of Planning & Development at (901) 576-6601 for more information.

---

# BUDGET

GreenGlove Capital LLC  
340 E Georgia Ave #101  
Project Title: South City Reimagined

340 E Georgia Ave  
Memphis Tn 38126

Line Item			Cost
Wrought Iron Fence	20 Panels		\$10,000.00
Demo + Pour New Sidewalk			\$15,000.00
Landscape+ Lighting			\$10,000.00
		Subtotal	\$35,000.00
			\$0.00
		Total	\$35,000.00

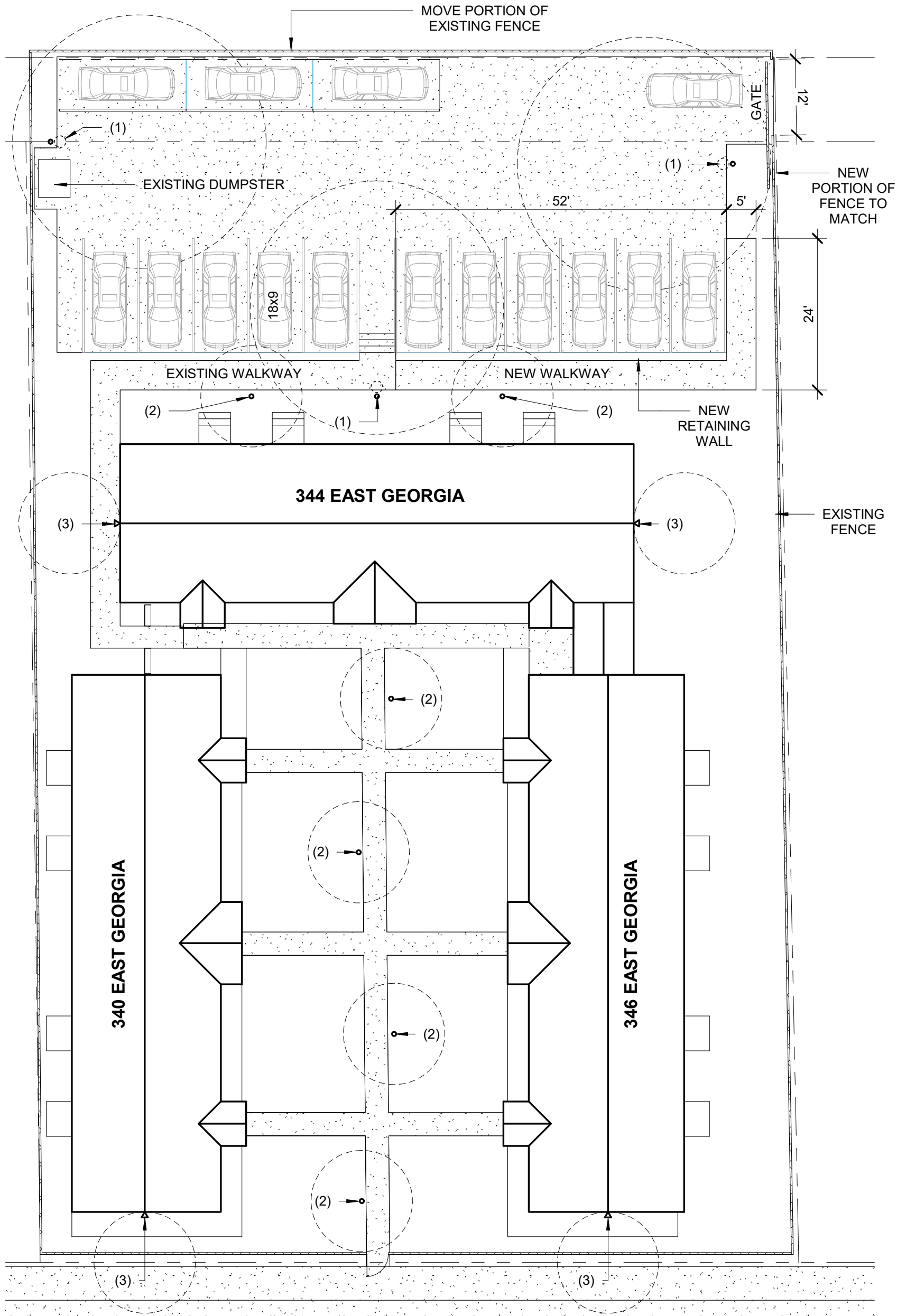
# LIGHTING LEGEND

(1) ARM MOUNT AREA LIGHT: LUSSO ARRAY M-AM LED LIGHT, BLACK FINISH

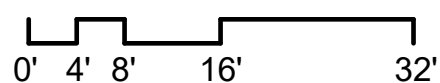
(2) BOLLARD: ENDUROSCAPE 8" CONCRETE LED BOLLARD W/ CUTOFF

(3) WALL PACK: TGS WPF-S SLIM FULL CUTOFF WALL PACK, BLACK FINISH

\*ALL LIGHTING LEVELS AND PHOTOMETRICS TO BE CONFIRMED BY SESCO LIGHTING PRIOR TO INSTALLATION



SITE IMPROVEMENT PLAN



# LUSSO ARRAY M-AM LED Specifications



Project Name:

Catalog Number:

Type:

Contemporary design meets the new generation of LED green technology in this stunning luminaire, the **Lusso Array**. The Lusso Array series provides over fifty percent energy savings over traditional HID light sources; and offers excellent beam control and LED life beyond 100,000 hours for 1400 milliamp systems. The Lusso Array is offered in ten optical distributions.

The Lusso Array's fully-sealed housing features an exceptionally well-designed thermal management system that provides superior heat dissipation.

The Lusso Array fixture is built with cast aluminum.

The **Lusso Array** is the perfect compliment to any university campus, business park, or walkway project where contemporary, architectural design is desired.

## Ordering Information

MODEL	OPTICS	LUMENS	KELVIN	VOLTAGE	MOUNTING	FINISH	OPTIONS	OPTIONS
<b>LSO-M</b>	<b>T1</b> Type 1	<b>5L</b>	<b>3K</b> 3000K	<b>UNV</b> 120-277V	<b>AM</b> Arm Mount	<b>BK</b> Black	<b>PCR-120</b> <b>PCR-208</b> <b>PCR-240</b> <b>PCR-277</b> <b>PCR-347</b> <b>PCR-480</b> Photocell & Receptacle	<b>VWC</b> Visionaire Wireless Controls Consult Factory
	<b>T2</b> Type 2	<b>10L</b>	<b>4K</b> 4000K	<b>8</b> 347V	Round Pole Plate Adaptors (RPP) are to be ordered separately.	<b>SBK</b> Smooth Black	<b>RPP</b> For 3-5" Ø Pole - Round Pole Plate Adaptor	
	<b>T3</b> Type 3	<b>15L</b>	<b>5K</b> 5000K	<b>5</b> 480V	UPMA to be ordered separately.	<b>BZ</b> Bronze	<b>UPMA-S</b> Universal Square Pole Mount Adaptor	
	<b>T3L</b> Type 3 Long	<b>25L</b>				<b>GP</b> Graphite	<b>PER</b> <b>5PINPER</b> <b>7PINPER</b> 3, 5, or 7 Pin Photo Receptacle w/shorting cap Requires Dimming Driver	<b>UPMA-R</b> Universal Round Pole Mount Adaptor
	<b>T4</b> Type 4					<b>GY</b> Grey		<b>ROT-R</b> Rotated Optics Right Side
	<b>T4A</b> Type 4 Automotive					<b>SL</b> Silver Metallic		<b>ROT-L</b> Rotated Optics Left Side
	<b>T4L</b> Type 4 Long					<b>WH</b> White	<b>DIM</b> 0-10v Dimming Driver	
	<b>T5LR</b> Type 5 Long Round					<b>SWH</b> Smooth White	<b>WSC-8</b> Motion Sensor 8' Mounting Height	<b>CLS</b> Backside cutoff shield
	<b>T5LS</b> Type 5 Long Square					<b>FG</b> Forest Green	<b>WSC-20</b> Motion Sensor 9-20' Mounting Height	<b>RCLS</b> Rightside cutoff shield
	<b>T5SR</b> Type 5 Short Round					<b>VD</b> Verdigris Green	<b>WSC-40</b> Motion Sensor 21-40' Mounting Height	<b>LCLS</b> Leftside cutoff shield
						<b>CC</b> Custom Color		

\*The WSC option will require (1) FSIR 100 remote for programming

# Features & Specifications

## LUSSO ARRAY M-AM

### Housing

The Lusso Arrays housing is constructed from durable, corrosion-resistant, cast aluminum. Silicone gasketing is provided for complete weather and insect protection.

### Thermal Management

The Lusso Array provides excellent overall thermal management by maximizing the efficiency of the heat sink in the fixture. This enables the Lusso to withstand higher ambient temperatures and higher drive currents without degrading LED life.

### Optical System

- The highest lumen output LEDs are utilized. High-performance acrylic optics feature industry leading Type 1, 2, 3, 3L, 4, 4A, 4L, 5LR, 5LS and 5SR optical distributions. Acrylic optics are impact-resistant and rated to 94 percent translucence.
- L70 life of our LEDs is rated over 100,000 hours (for 1400 mA), The optical system qualifies as IES full cutoff to restrict light trespass, glare and light pollution for neighborhood-friendly lighting.
- CRI values are 70.

### New LED Array Technology

- 4 Diodes now replace a single Led chip and operate at 25% of the drive current allowing for higher efficiency, less heat and longer life. (10 Year Warranty)
- More LEDs at a lower drive current provides a more comfortable visual effect.

### Quali-Guard® Finish

- Fixture components are chemically pretreated through a multiple-stage washer, and finished with an electrostatically-applied, thermoset polyester powder coat textured paint with a 3 to 5 millimeters thickness. Finish is oven-baked at 400 °F for maximum adherence and finish hardness.
- Available in standard and custom colors.
- Finish is guaranteed for five (5) years.

### Arm Mount

Lusso Array contractor-friendly mounting hardware.

### Electrical Assembly

- The Lusso Array is supplied with a high-performance driver available in 700, 1050, 1200 and 1400 mA. The driver is integrally-located in the housing, and is operational from 120 V through 480 V, 50 Hz to 60 Hz input.
- Power factor is 90%.
- Rated for -40° to 50°C operation.
- 10 kV surge protector supplied as standard.

### Warranty

- Ten (10) year Limited Warranty on electrical components.
  - Five (5) year on finish.
- For full warranty information, please visit [visionairelighting.com](http://visionairelighting.com).

### Options

- Photocell & Receptacle
  - Photocell Receptacle with shorting cap
  - 0-10v Dimming Driver
  - WattStopper FSP-211 Motion Sensor
  - Lightly Diffused Lens
  - Highly Diffused Lens
  - Round Pole Plate Adaptor
  - Visionaire Wireless Control
    - Enables high end trim
    - Based on Zigbee wireless communication protocol
- \*Please consult factory for detailed custom options.

### Listings

- cUL Listed
- IP65 Rated
- Powder Coated Tough™
- IDA Certification



DesignLights Consortium (DLC) qualified Product. Some configurations of this product family may not be DesignLights Consortium (DLC) listed, please refer to the DLC qualified products list to confirm listed configurations. <http://www.designlights.org/>  
3000K must be selected for IDA certification.  
Fixed mount must be selected for IDA dark sky certification.

ELECTRICAL LOAD (A)							
Ordering Nomenclature	System Watts	120	208	240	277	347	480
LSO-M-T5LS-5L	52	0.43	0.25	0.22	0.19	0.15	0.11
LSO-M-T5LS-10L	67	0.56	0.32	0.28	0.24	0.19	0.14
LSO-M-T5LS-15L	99	0.83	0.48	0.41	0.36	0.29	0.21
LSO-M-T5LS-20L	148	1.23	0.71	0.62	0.53	0.43	0.31
LSO-M-T5LS-25L	200	1.67	0.96	0.83	0.72	0.58	0.42

Motion Sensor Default Setting									
Type	High Mode	Low Mode	Time Delay	Cut off Delay	Sensitivity	Hold Off Setpoint	Photocell On/Off	Ramp Up Time	Fade Down Time
WSC - Default	10V	1V	5 Min	1 Hour	Max	Disabled	Disabled	Disabled	Disabled
WSC Range	0-10V	0-9.8V	5-30 Min	1-5 Hours	Low, Med, Max	1-250FC	1-250FC	1-60 Dec	1-60 Dec

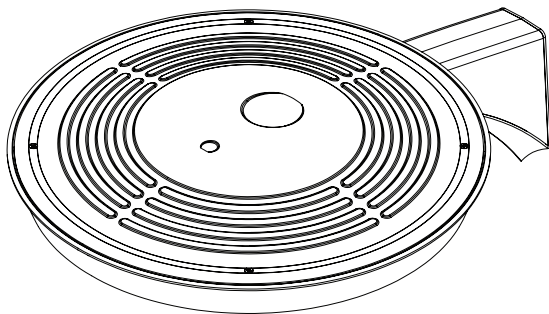
# LUSSO ARRAY M-AM LED Specifications

## Photometric Optical Summary

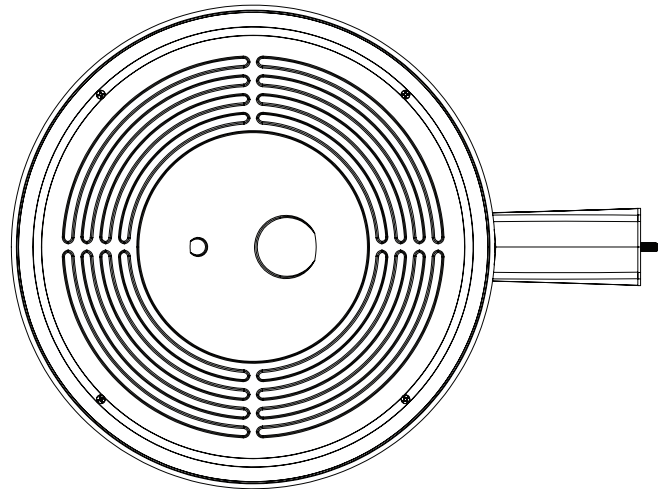
T1 Type 1	T2 Type 2	T3 Type 3	T3L Type 3 Long	T4 Type 4	T4A Type 4 Automotive	T4L Type 4 Long	T5LR Type 5 Long Round	T5LS Type 5 Long Square	T5SR Type 5 Short Round
<b>EPA Data</b>									
		1.0	1.6	2.0	2.5	2.4	2.5		

## Dimensions

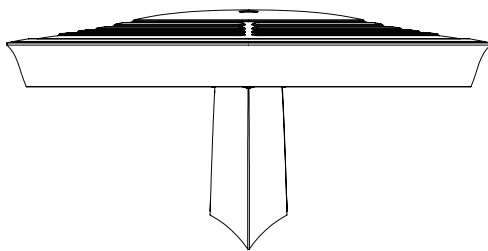
<b>Width:</b>	LSO-M 21"
<b>Depth:</b>	LSO-M 27.5"
<b>Height:</b>	LSO-M 10.25"
<b>Weight:</b>	LSO-M 29 lbs



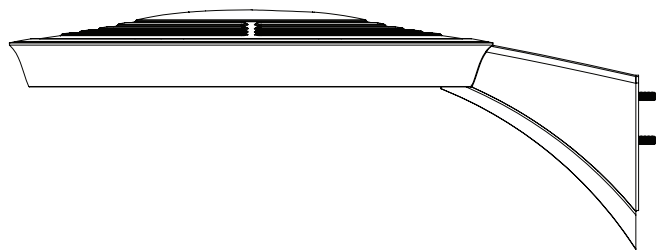
PERSPECTIVE VIEW



TOP VIEW



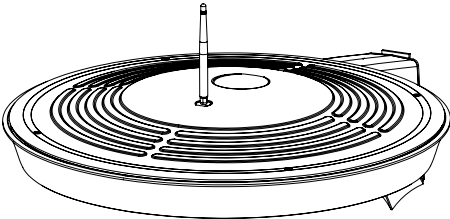
FRONT VIEW



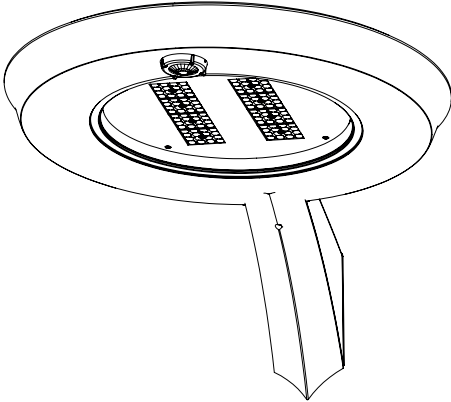
SIDE VIEW

LED Specifications **LUSSO ARRAY M-AM**

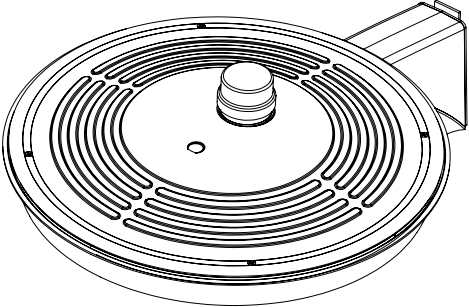
LSO-M-AM Options



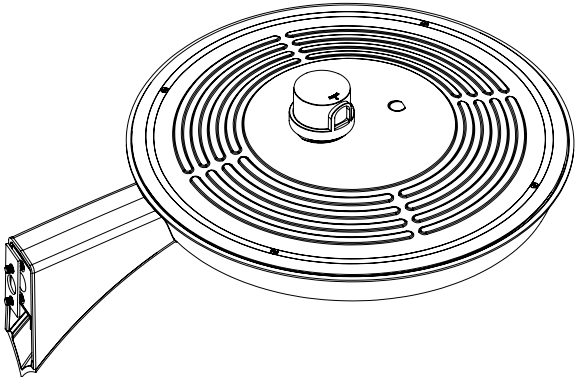
Visionaire Wireless Controls



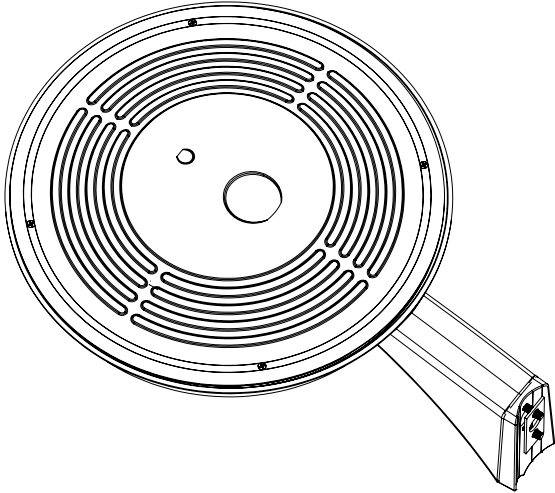
Motion Sensor



3, 5 or 7 Pin Photo Receptacle w/shorting cap



Photocell & Receptacle



Round Pole Plate Adaptor

# ENDURASCAPE Bollard LED Specifications






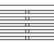
Project Name:

Catalog Number:

Type:

The **Endurandscape** series of concrete bollards are designed to enhance and blend with architectural and natural landscapes. Beautifully crafted with textured finishes in a variety of shapes and cast grill louver designs. Optics provide smooth, 360-degree symmetrical low level illumination. Durably built for weather and vandal resistance. Ideal for walkways, entrances, promenades, plazas, courtyards, driveways, bridges and landscaped areas.

## Ordering Information

MODEL	OPTICS	SOURCE	CURRENT	KELVIN	VOLTAGE	MOUNTING	FINISH	OPTIONS
<b>EDS-1A</b> 8" Round	<b>COG</b> 45° Cutoff Grill 8" Only	<b>20LC</b>	<b>3</b> 350mA	<b>3K</b> 3000K	<b>UNV</b> 120-277V	<b>AB</b> Anchor Base Consult Factory	<u>Louver Colors</u>	<b>ILS</b> Internal Light Shield
<b>EDS-1B</b> 11" Round			<b>5</b> 530mA	<b>4K</b> 4000K			<b>BZ</b> Bronze	
<b>EDS-2</b> 11" Round Flat Top			<b>7</b> 700mA	<b>5K</b> 5000K			<b>BK</b> Black	
<b>EDS-3A</b> 11" Square	<b>COG</b> 45° Cutoff Grill 11" Only						<b>WH</b> White	
<b>EDS-4A</b> 11" Square Pyramid Top	  <b>HZG</b> Horizontal Grill 11" Only 						<b>FG</b> Forest Green	
							<b>GY</b> Grey	
							<b>SL</b> Silver Metallic	
							<b>CC</b> Custom Color	
							<u>Concrete Textures</u>	
							<b>LT</b> Light	
							<b>MD</b> Medium	
							<b>HV</b> Heavy	



# Features & Specifications

## ENDURASCAPE Bollard

### Housing

- Steel-reinforced pre-cast hollow core concrete in round or square shapes, four top styles and three textured finishes.
- Rugged cast aluminum grill louvers with 45° cutoff or horizontal cutoff.

### Thermal Management

- The Endurascape Bollard Series provides excellent overall thermal management by maximizing the fixture's heat sink capabilities. This enables the Endurascape Bollard Series to withstand higher ambient temperatures and drive currents without degrading LED life.
- The Endurascape Bollard Series has a very low thermal resistance rating.
- The L70 test determines the point in an LEDs life when it reaches 70 percent of its initial output.
- The Endurascape Bollard Series LEDs have been determined to last a minimum of 100,000+ hours in 25° C environments when driven at 175 mA.

### Optical System

- Uniform Type V symmetrical light distribution.
- Optional internal light shield for Type III distribution.
- The highest lumen output LEDs are utilized in the Endurascape Bollard Series. Aluminum stack louver, or 45° cutoff grill provides Type V symmetrical light distribution. LED light assemblies come in 20 LEDs.
- CRI values are 70.

### Lens

Clear, high-impact-resistant acrylic, with silicone gasketing for a weather-tight seal. An optional internal light shield is available.

### Quali-Guard® Finish

- The louver finish is a Quali-Guard® textured, chemically pretreated through a multiple-stage washer, electrostatically applied, thermoset polyester powder coat finish, with a minimum of 3-5 mil thickness. Finish is oven-baked at 400° F to promote maximum adherence and finish hardness.
- All finishes are available in standard and custom colors.
- Finish is guaranteed for five (5) years.

### Mounting

The Endurascape Bollard Luminaire is easily mounted with anchor bolt kit.

### Electrical Assembly

- The Endurascape Bollard Series is supplied with a choice of 350, 530 or 700 mA high-performance LED drivers that accept 120v 50 Hz to 60 Hz, input.
- 40° to 40° C operating temperature.
- 10 kV surge protector supplied as standard.

### Warranty

Five (5) year Limited Warranty on entire system, including finish. For full warranty information, please visit [VisionaireLighting.com](http://VisionaireLighting.com).

### Options

- Internal Light Shield

### Listings

- The Endurascape Bollard is cUL Listed, suitable for wet locations.
- Powder Coated Tough™
- IDA Certification



DesignLights Consortium (DLC) qualified Product. Some configurations of this product family may not be DesignLights Consortium (DLC) listed, please refer to the DLC qualified products list to confirm listed configurations. <http://www.designlights.org/>  
3000K must be selected for IDA certification.

# ENDURASCAPE Bollard LED Specifications

## Photometric Optical Summary

Not all optics are available on all fixtures. Check ordering chart for availability

**COG**  
45° Cutoff Grill - 8" Only



**COG**  
45° Cutoff Grill - 11" Only

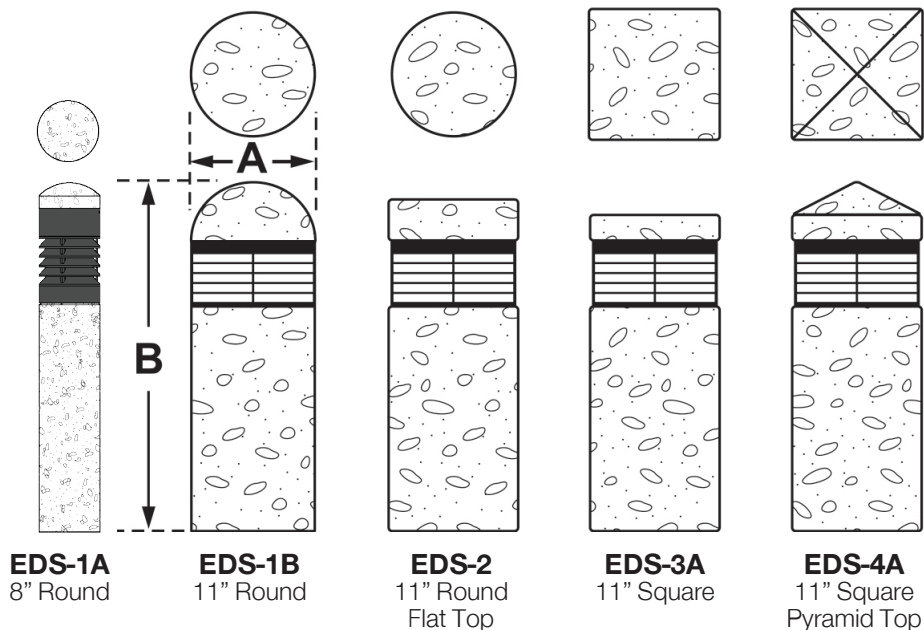


**HZG**  
Horizontal Grill - 11" Only

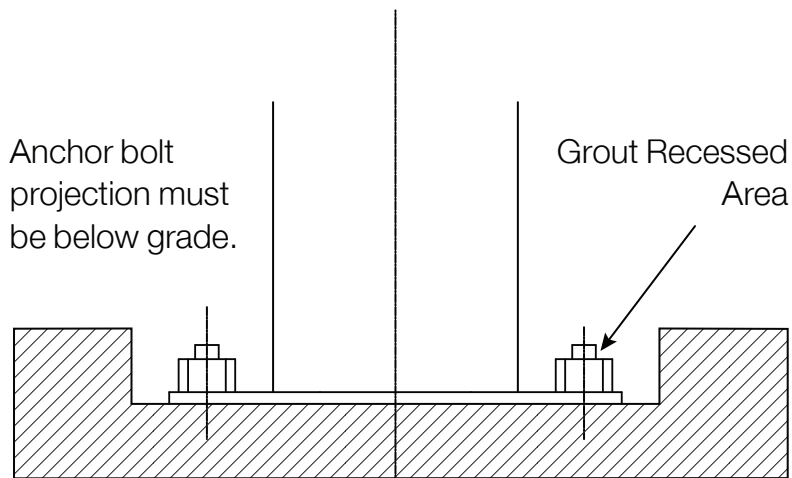


## Dimensions

Fixture	WIDTH	HEIGHT	LBS
EDS-1A	8"OD	42"	275
EDS-1B	11" OD	42"	325
EDS-3	11" OD	40 1/4"	320
EDS-3A	11" SQ	41"	275
EDS-4A	11"SQ	43"	325



## Base Details



**VISIONAIRE LIGHTING**

Date:	
Project Name:	
SKU #:	

**WPF™ S**  
Slim Full Cutoff Wall Pack



**APPLICATIONS**

Commercial, Industrial, Retail, Institutions

**FEATURES**

**Construction**

- Two-Piece Die-cast Aluminum Housing
- 3G Vibration Compliant According to ANSI C136.31.

**Finish**

- Dark Bronze [Powder Coated Finish]

**Electrical & Technical**

- Input Voltage: 120-277V
- Input Frequency: 50/60Hz
- Projected Life: L70 > 50,000 hrs
- PF: >0.9
- CRI: 70
- THD: <20%
- CCT Selectable: 3000K/4000K/5000K
- Operating Temp.: -40°F ~ 104°F
- Suitable for Wet Locations
- Integrated 8W Emergency Battery Backup **[Option Not Available for 100W]** [Factory Installed]

**Optical**

- PC Optical Lens Provides Type III Distribution

**Installation/Mounting**

- Wall Mounted With 1/2" NPT Conduit Opening
- Directly Mount onto a 4" J- Box

**Controls**

- Photocell Option [Factory Installed]

**Lumen Output**

- 65W: 9,620lm
- 100W: 14,900lm

**Warranty**

- 5 Year Warranty  
See warranty documentation for more information.



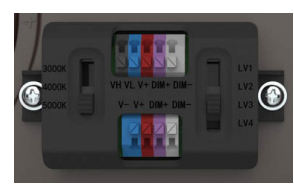
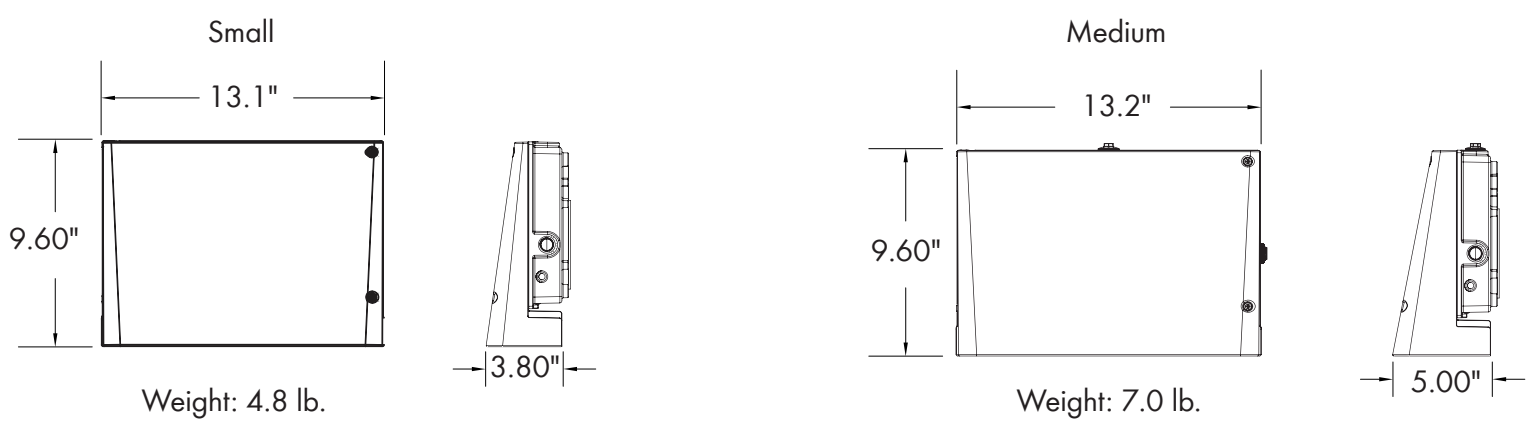
**ORDERING INFORMATION** **EXAMPLE: WPFS-S-L-C-U-D**

Series	Size	Wattage	CCT	Input Voltage	Finish
WPFS	S - Small	L (65W/49W/34W/23W)	C - 3000K/4000K/5000K	U - 120-277V	D - Dark Bronze
	M - Medium	L (100W/84W/61W/42W)			

**Accessories**

- WP-PH (Photocell Factory Installed)
- WP-EM (8W Emergency Battery Backup [Not Available for 100W])

### DIMENSIONS



Field Adjustable  
Lumen & CCT Switches

### LUMEN OUTPUT

SKU	Wattage (W)	Delivered Lumens (lm) 100%	Efficacy (lm/W)	Delivered Lumens (lm) 80%	Efficacy (lm/W)	Delivered Lumens (lm) 60%	Efficacy (lm/W)	Delivered Lumens (lm) 40%	Efficacy (lm/W)
WPFS-S-L-C-U-D	65/49/34/23	9620	148	7252	148	5032	148	3404	148
WPFS-M-L-C-U-D	100/84/61/42	14900	149	12516	149	9089	149	6258	149

### ELECTRICAL LOAD

Wattage (W)	Current (A)						
	120V	208V	240V	277V	347V	480V	
65	0.54	0.31	0.27	0.23	0.19	0.14	
100	0.83	0.48	0.42	0.36	0.29	0.21	

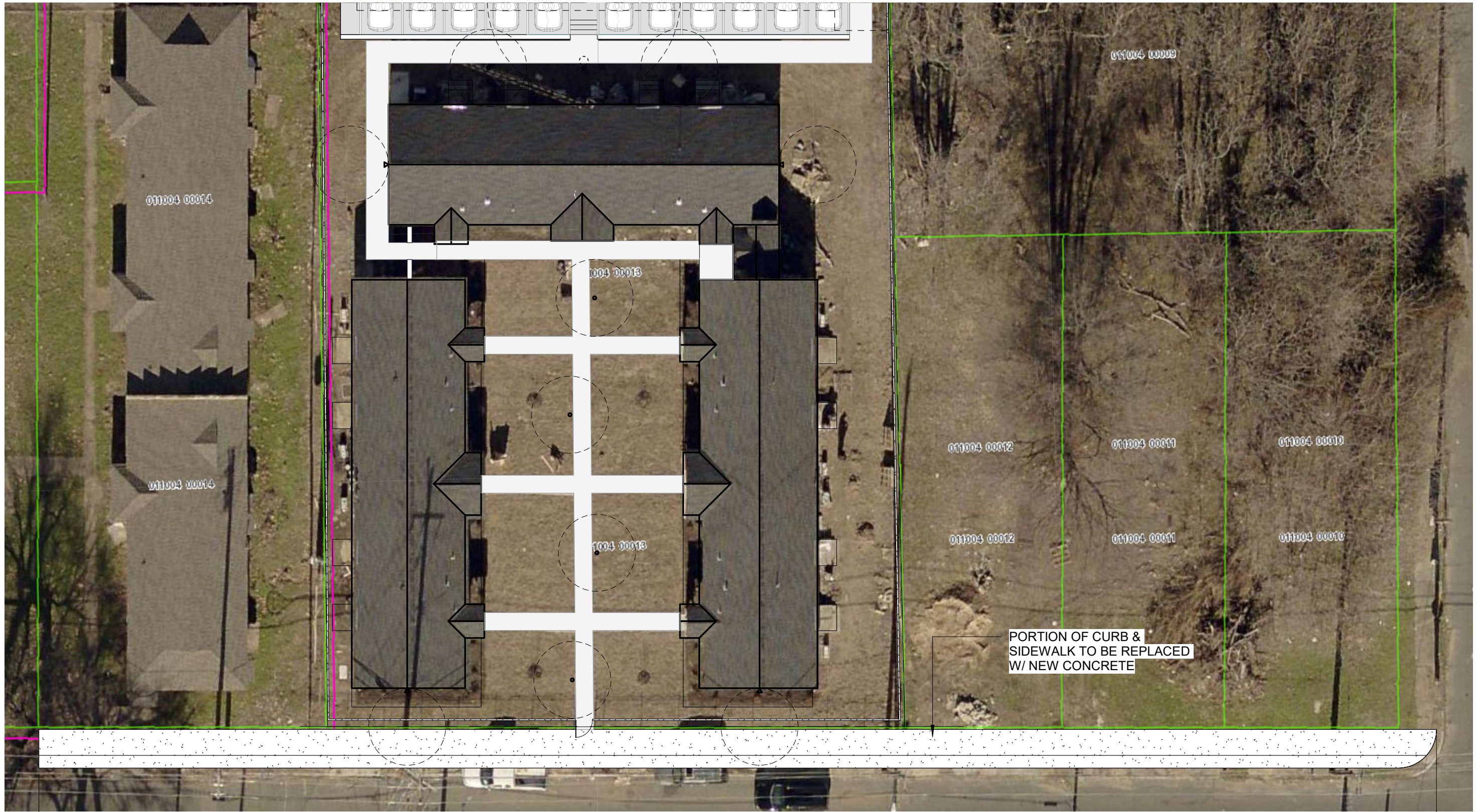
### ACCESSORIES



Photocell  
[Factory Installed]  
(Option)  
[WP-PH]

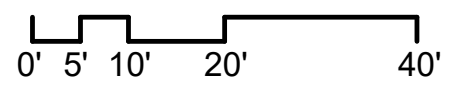


Integrated  
8W Emergency  
Battery Backup  
(Not Available for 100W)  
[Factory Installed]  
(Option)  
[EM]



290'  
FROM EXISTING CORNER

SIDEWALK IMPROVEMENT PLAN



340 E. GEORGIA AVE