



**DOWNTOWN  
MEMPHIS  
COMMISSION**

## DESIGN REVIEW BOARD APPLICATION

**Administered by:  
Design Review Board**

Property Address\*: Riverside Drive Memphis, TN 38103

Applicant Name & Mailing Address: Memphis River Parks Partnership, 22 N Front Street, Suite 960, Memphis, TN 38103

Applicant Phone Number: (901) 312-9190 Applicant Fax Number: \_\_\_\_\_

Property Owner's Name & Mailing Address: City of Memphis, 125 N Main St, Memphis, TN 38103

Property Owner's Phone Number: (901) 576-6000

The proposed work consists of the following (check all that apply):

- Sign  Renovation   
New Building  Other Exterior Alteration

Project Description:

*Lighting application for Cutbank Bluff at Tom Lee Park.*

Status of Project:

Cutbank Bluff is currently under construction.

**A complete application must be submitted to the Development Department no later than two weeks before a regularly scheduled meeting of the Design Review Board.** Please contact Abe Lueders at (901)575-0565 or alueders@downtownmemphis.com with any questions and to submit an application.

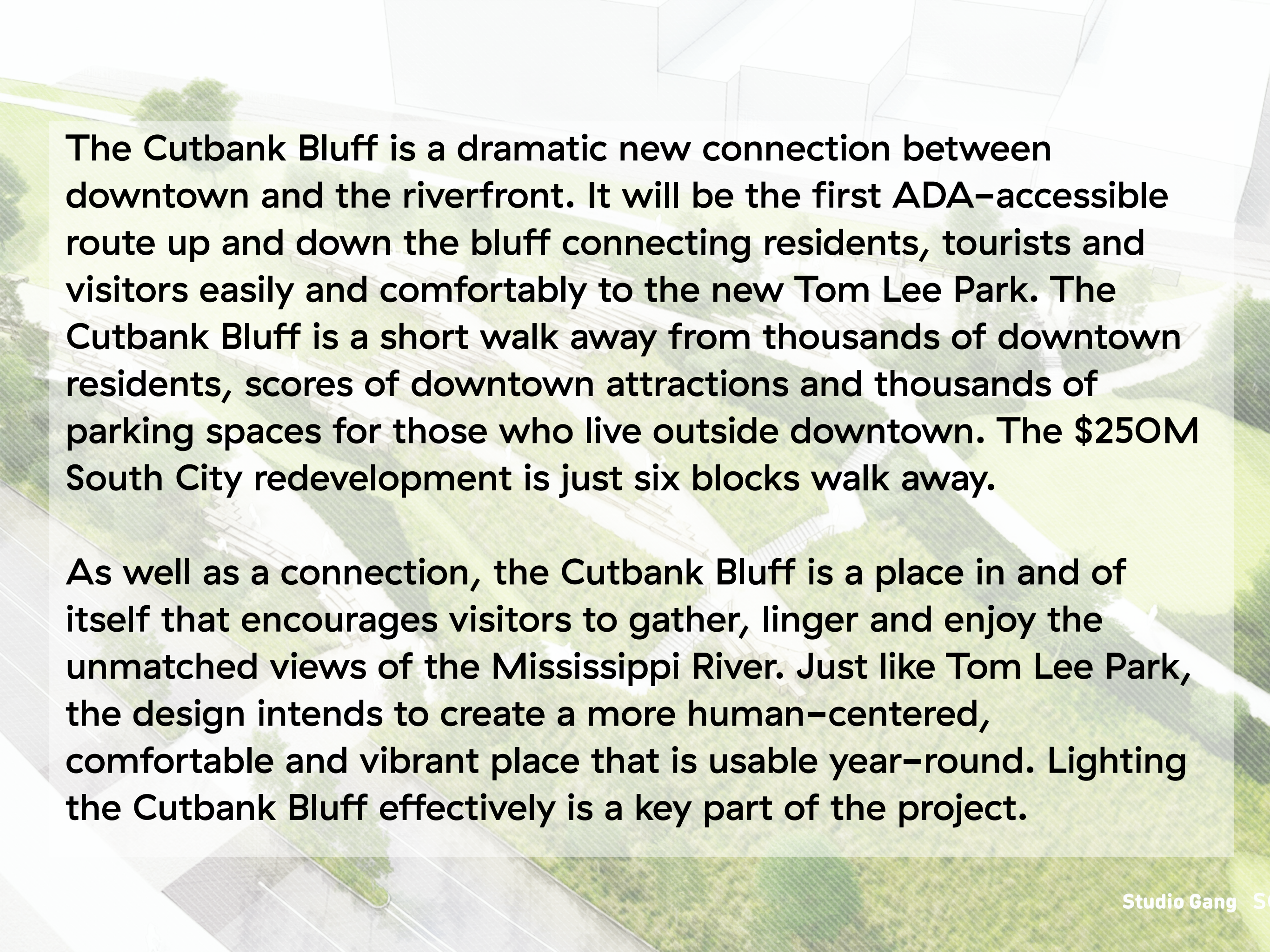
Owner/Applicant Signature: 

Date: 7/21/21

\*Applications for properties that are located within a Landmarks Historic District may require additional approval from the Landmarks Commission. Please contact the Shelby County Division of Planning & Development at (901) 576-6601 for more information.



**Lighting the Cutbank Bluff**  
**TOM LEE PARK**



**The Cutbank Bluff is a dramatic new connection between downtown and the riverfront. It will be the first ADA-accessible route up and down the bluff connecting residents, tourists and visitors easily and comfortably to the new Tom Lee Park. The Cutbank Bluff is a short walk away from thousands of downtown residents, scores of downtown attractions and thousands of parking spaces for those who live outside downtown. The \$250M South City redevelopment is just six blocks walk away.**

**As well as a connection, the Cutbank Bluff is a place in and of itself that encourages visitors to gather, linger and enjoy the unmatched views of the Mississippi River. Just like Tom Lee Park, the design intends to create a more human-centered, comfortable and vibrant place that is usable year-round. Lighting the Cutbank Bluff effectively is a key part of the project.**



December 3, 2020

**Mr. Mikal Stevenson**  
**Allworld Project Management**  
60 N BB King Blvd  
Memphis, TN 38103

*On Behalf Of:*  
**Memphis River Parks Partnership**  
22 N Front St, Suite 960  
Memphis, TN 38103

RE: DRB Approval #20-99  
Cutbank Bluff  
Riverside Drive  
Memphis, TN 38103

Dear Mr. Stevenson,

On December 2, 2020 the Design Review Board (DRB) of the Downtown Memphis Commission (DMC) approved your application for the Cutbank Bluff project, which will be located on a portion of the bluff between Riverside Drive and the railroad tracks, which includes the area currently occupied by Vance Park. The approved scope of work includes the following:

- An accessible switch-back path connecting Vance to Riverside Drive.
- Multiple stairs that span the height of the bluff.
- A series of large stone slabs (scrambles) used as seating, stairs, and decorative landscaping elements.
- Relocating an existing sculpture to a new location on the bluff.
- New seating in a reconfigured Vance Park.
- New trees and vegetation planted on the bluff.

This approval is conditioned on submitting a plan for lighting to the Board at a later date.

DRB approval expires after one (1) year if work has not been started. With this approval letter, you may proceed with permit applications from the Memphis and Shelby County Office of Code Enforcement and any other applicable bodies.

# APPLICATION DETAILS

The board approved the Cutbank Bluff at its regular meeting in November, 2020.

This application is for the lighting scheme of the Cutbank Bluff.

Construction in progress on the Cutbank Bluff:



# LIGHTING TEAM AND DESIGN GOALS

## RANDY BURKETT LIGHTING DESIGN

The lighting plan for the Cutbank Bluff is designed by Randy Burkett Lighting Design (RBLD) – one of the foremost lighting design practices in the country. RBLD was founded in 1988 and has worked across the country creating vital and sustainable landscapes through the medium of light.

Previous projects include: Martin Luther King Jr. Memorial in Washington, DC, Citygarden in St. Louis, MO and Bearden Park in Charlotte, NC.

Awards and recognition include:

Illuminating Engineering Society – IIDA Award of Excellence

International Association of Lighting Designers – Award of Merit



## LIGHTING GOALS

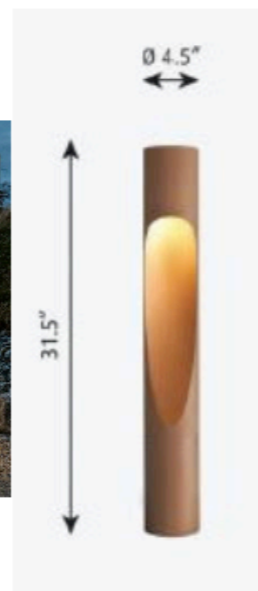
- Enhancement and reinforcement of inherent way finding and orientation.
- Clear identification of park entry portals and thresholds.
- Establishment of functional lighting levels for safety and reassurance.
- Development of common, comprehensive lighting elements across the park.
- Creation of appropriate nighttime scale and intimacy.
- Establishment of a sense of place.
- Revelation and engagement of natural features.
- Safeguarding sightlines, especially river views.
- Connecting to the city.

# LIGHTING FIXTURES

## Pedestrian scaled pathway lighting



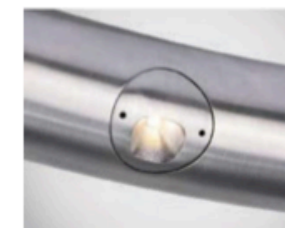
## Low level pathway lighting



Type SB – Bollard



Type SC, Tree Uplight



Type SD – Handrail Light Pod

# LIGHTING FIXTURES

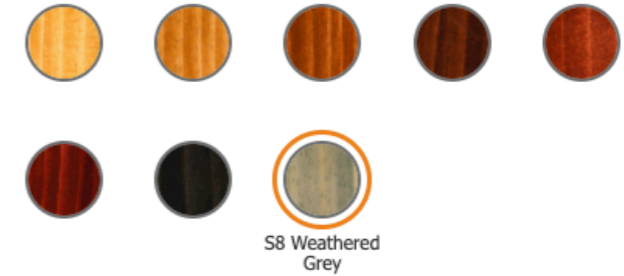
## Pedestrian scaled pathway lighting



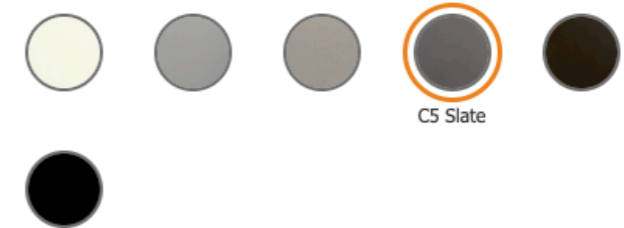
- 12' 0" Wooden pole in "weathered grey"
- Metal accents in "Slate"
- Lighting fixtures in "Graphite Grey"



BODY - Accoya® Wood Finishes



ACCENT - Metal Finishes



## Low level pathway lighting

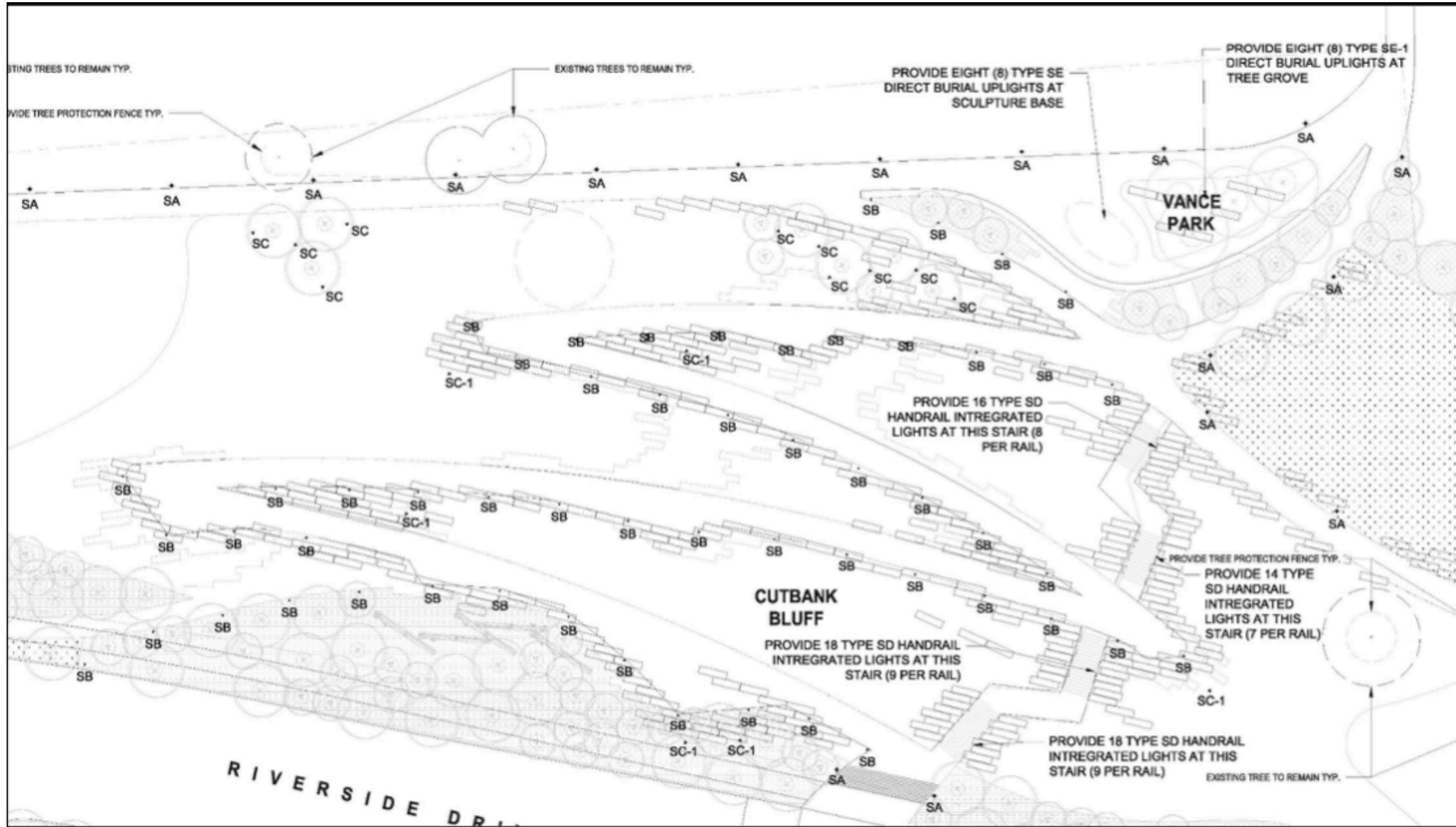


Bollard lights in "Graphite Grey"  
to match SA fixtures.



"Black wrinkle"  
standard black  
manufacturer finish.

# LIGHTING PLAN





2/4

Homann Park

## Product info

### Information

Electrical: System Wattage: 19W or 37W LED Wattage: 17 W or 35 W Delivered lumens: 1,824 - 3,698 Efficacy: 96.0 lm/W - 99.9 lm/W Certifications: cULus, Wet Location Protection class IP65 IK class 09 BUG Rating: B1-U0-G1; B1-U1-G1; B1-U0-G0; B1-U1-G0 Controllability: 0-10V Dimming Min.-Max. Ambient Temp: -40°C to +55°C Color Rendering: Ra≥80 Wind Load EPA: 0.6 sq ft

### Mounting

Post top: T-Taper-5IN-2.4IN mounts directly on top of Taper (5IN-2.4IN) poles; T-DRA-5IN-3IN mounts directly on top of dual round aluminum (DRA-5IN-3IN) poles.

### Finish

Natural painted aluminum, powder coated.

### Materials

Lower diffuser: Injection molded opal acrylic. Lower glass: Plate of clear polycarbonate. Upper diffuser: Injection molded opal acrylic. Housing: Die cast aluminum. Base: Die cast aluminum.

### Sizes and weight

Width x Height x Length (in.) | 15.4 x 3.9 x 22.3 Max 13.8 lbs

### Compliance

cULus, Wet location.

### Light source

37W LED/3000K<br />-Lumen: 3209

### Information

#### Electrical:

System Wattage: 19W or 37W

LED Wattage: 17 W or 35 W

Delivered lumens: 1,824 - 3,698

Efficacy: 96.0 lm/W - 99.9 lm/W

#### Certifications:

cULus, Wet Location

Protection class IP65

IK class 09

BUG Rating: B1-U0-G1; B1-U1-G1; B1-U0-G0; B1-U1-G0

Controllability: 0-10V Dimming

Min.-Max. Ambient Temp: -40°C to +55°C

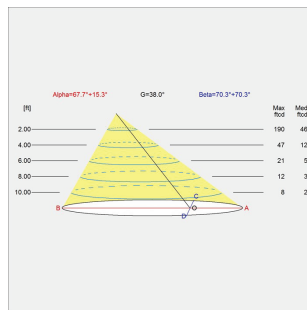
Color Rendering: Ra≥80

Wind Load EPA: 0.6 sq ft

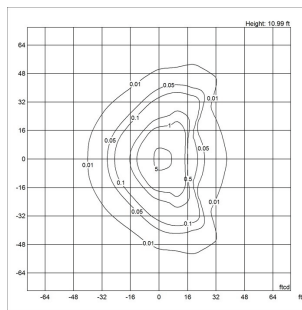


# Light distribution diagrams

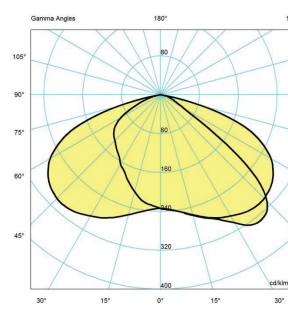
Cartesian



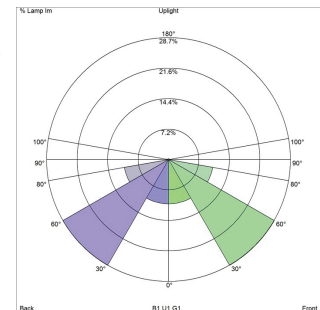
Isolux



Polar



Bug



## Spare parts & accessories

Product

HPARK LED-SR NEMA HI 3K 5F I 60 ALLUC US  
HPARK LED-SRNEMA HI 3K 5F N/UP I 60AL US

Variant number

5747921405  
5747921418

## Data specifications

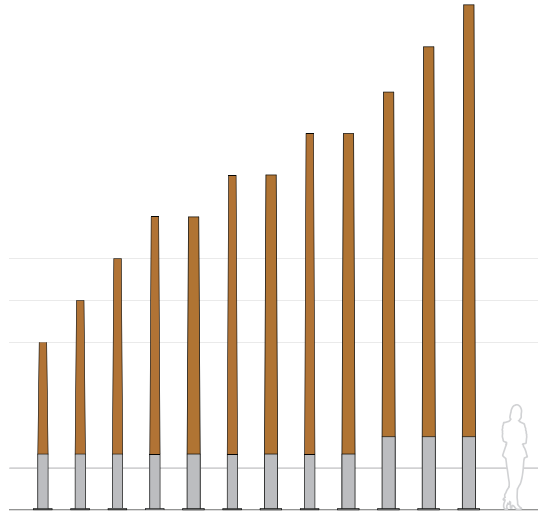
Length	22.3
Height	3.9
IP class	64
Class	-
Wind Load (ft2)	0.6
Standby (W)	-
Inrush Current	51.5 A

Width	15.4
Built-in Height	-
IK class	08
Net Weight	13.8
Min. Dim Level (%)	10
Power Factor (P = 100 % / P = 50 %)	0.95
Surges	-

## Bol 8' – 24' Round Tapered and Straight Wood Poles

FIXTURE TYPE: \_\_\_\_\_

PROJECT NAME: \_\_\_\_\_



Round Taper

Glulam solid wood and aluminum pole available in 8' – 24' lengths. Tenon adapters, slip fitters and side bracket mounts are available for luminaire mounting.

### FEATURES:

- Round extruded aluminum pole base with flush handhole cover held with countersunk stainless steel fasteners.
- Tapered, round, solid glulam wood pole

### SPECIFICATIONS:

**HOUSING:** Solid wood pole is assembled through glulam construction and precision machined using CNC technology. An electrical raceway is provided in the pole's center for wiring. Laminations measure no more than 2" in thickness. Adhesive complies with ASTM D-2559 glulam construction specifications for extreme exposed weather conditions, is waterproof and rated for wet or dry use exposure.

Glulam wood shaft is fastened to aluminum pole base welded to a 3/4" thick aluminum anchor bolt base. Anchor bolt kit includes (4) 3/4" hot dip galvanized anchor bolts and fasteners and ridged concrete pour template.

**FIXTURE MOUNTING:** Fixtures mount either by 2 3/8", 2 7/8", 3 1/2", or 4" diameter by 4" tall tenon or drill mount for arm brackets. Consult factory for other tenon sizes. Luminaires shall be provided by others.

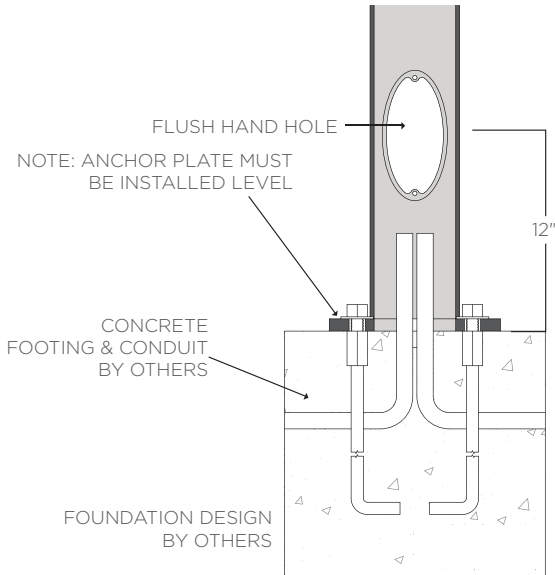


**ELECTRICAL:** A 5/16" – 18 grounding point is provided on the aluminum pole base. Wireway access is provided through a NEC compliant handhole with a flush, gasketed cover plate.

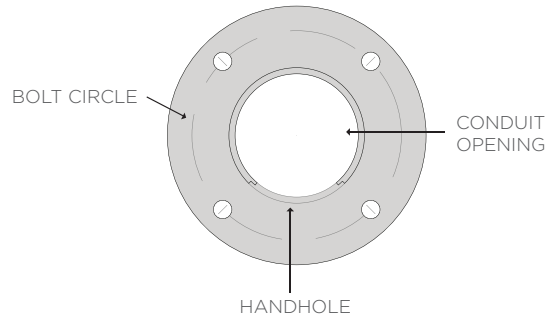
**FINISHES AND MATERIALS:** Woods are finished with a low VOC waterborne matte exterior finish containing UV and mildew inhibitors. All aluminum parts are polyester powder coat painted.

**HARDWARE:** Fasteners are stainless steel. Anchor bolt kits are hot dip galvanized.





Pole Size	Bolt Circle	Conduit Opening
5.5"	8.5" dia.	5" dia.
7.0"	11" dia.	6.5" dia.



**ORDERING GUIDE:** EXAMPLE: BOL-5-12-55-53-C6-T3124-STD

<b>BOL</b>								
1	2	3	4	5	6	7	8	9

<b>1</b>	<b>Series</b>	<b>4</b>	<b>Base Diameter</b>	<b>8</b>	<b>Fixture Mounting</b>
<b>BOL</b>	Bol	<b>55</b>	5.5" - 20' Maximum Height	<b>Tenon</b>	
<b>2</b>	<b>Shaft Shape</b>	<b>70</b>	7.0" - 24' Maximum Height	<b>T2384</b>	2 3/8" x 4" Tenon
<b>T</b>	Round Tapered	<b>5</b>	<b>Top Diameter</b>	<b>T2784</b>	2 7/8" x 4" Tenon
<b>S</b>	Round Straight	<b>40</b>	4.0"	<b>T3124</b>	3 1/2" x 4" Tenon
<b>3</b>	<b>Height</b>	<b>55</b>	5.5"	<b>T4004</b>	4" x 4" Tenon
<b>8</b>	8'	<b>70</b>	7.0"	<b>TXXX</b>	Specify diameter and height
<b>10</b>	10'	<b>6</b>	<b>Wood Finish</b>	<b>Drill</b>	
<b>12</b>	12'	<b>S*</b>	See color options on finishes technical sheet	<b>D1</b>	1 @ 90deg
<b>14</b>	14'	<b>7</b>	<b>Metal Finish</b>	<b>D2</b>	2 @ 180deg
<b>16</b>	16'	<b>C*</b>	See color options on finishes technical sheet	<b>D3</b>	2 @ 90deg
<b>18</b>	18'	<b>CSM</b>	Custom Color	<b>D4</b>	3 @ 90deg
<b>20</b>	20'			<b>D5</b>	4 @ 90deg
<b>22</b>	22'			<b>9</b>	<b>Special</b>
<b>24</b>	24'			<b>STD</b>	Standard
				<b>MOD</b>	Modified

## Product info

### Information

Electrical: System Wattage: 15W LED Wattage: 14W Delivered lumens: 536-591 lm Efficacy: 35.7-39.4 lm/W  
Certifications: cULus, Wet Location Protection class IP65 IK class 10 BUG Rating: B0-U2-G1 Controllability: 0-10V Dimming Min.-Max. Ambient Temp: -40°C to +70°C Color Rendering: Ra≥80

### Mounting

Base plate dimension: 11" diameter. Base plate: Mounted to a concrete base with 4 anchor bolts on a bolt circle of 8.9" diameter. Internal anchor base: Mounted to a concrete base with 3 anchor bolts on a bolt circle of 3.5".  
Direct burial: includes cross-bar for stabilization and slots for conduit entry. Installation: Refer to mounting instruction download for installation details.

### Finish

Natural painted aluminum or corten colored, powder coated.

### Materials

Top: Cast aluminum. Post: Extruded aluminum. Base plate: Die cast aluminum. Lens: Clear polycarbonate. Anchor bolts: Zinc-plated steel.

### Sizes and weight

Width x Height x Length (in.) | 4.5 x 43.3 x 4.5 Max 23.0 lbs | 4.5 x 31.5 x 4.5 Max 0.0 lbs

### Compliance

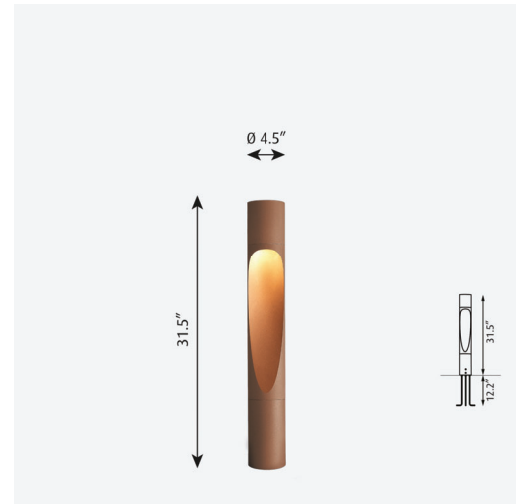
cULus, Wet location.

### Light source

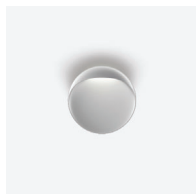
15W LED/3000K-  
Lumen: 536

### Information

Electrical:  
System Wattage: 15W  
LED Wattage: 14W  
Delivered lumens: 536-591 lm  
Efficacy: 35.7-39.4 lm/W  
Certifications:  
cULus, Wet Location  
Protection class IP65  
IK class 10  
BUG Rating: B0-U2-G1  
Controllability: 0-10V Dimming  
Min.-Max. Ambient Temp: -40°C to +70°C  
Color Rendering: Ra≥80



## Product family



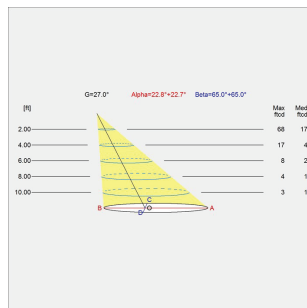
Flindt Wall



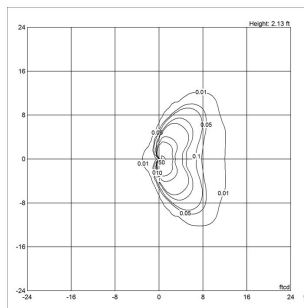
Flindt Garden Bollard

# Light distribution diagrams

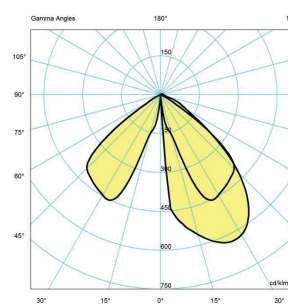
Cartesian



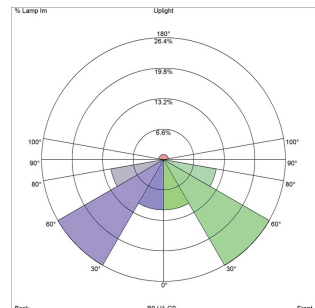
Isolux



Polar



Bug



## Data specifications

Length	4.5
Height	31.5
IP class	65
Class	-
Wind Load (ft2)	-
Standby (W)	-
Inrush Current	15A
Light source	15W LED/3000K
CRI	80
Lumen	536
Efficacy	36

Width	4.5
Built-in Height	-
IK class	10
Net Weight	0.0
Min. Dim Level (%)	10
Power Factor (P = 100 % / P = 50 %)	0.9
Surges	-
Kelvin	3000
SDCM	3
Watt	15
BUG Rating	B0 U1 G0

DENALI LED (INTEGRAL)

IP66 RATED

DATE:

PROJECT:

TYPE:

CATALOG NUMBER LOGIC:



\*Accommodates up to 2 lens/shielding media.

\*\*120V only

**CATALOG NUMBER LOGIC**

Example: DE - LED - TR - x98 - SP - BZW - 9 - 11 - A - ELV - 120

**MATERIAL**

Aluminum

**SERIES**

DE - Denali

**SOURCE**

LED - Chip on Board Technology

**HOUSING**

TR - Integral Driver

**LED TYPE**

x98 - 13W LED/2700K x99 - 13W LED/3000K x100 - 13W LED/4000K

**OPTICS**

SP - Spot (20°) FL - Flood (35°) WFL - Wide Flood (60°)

**FINISH (See page 2 for full-color swatches)**

Standard Finishes (BZP, BZW, BLP, BLW, WHP, WHW, SAP, VER)

Premium Finish (ABP, AMG, AQW, BCM, BGE, BPP, CAP, CMG, CRI, CRM, HUG, MDS, NBP, OCP, RMG, SDS, SMG, TXF, WCP, WIR)

Also available in RAL Finishes

**LENS TYPE\***

9 - Clear (Standard)

12 - Soft Focus 13 - Rectilinear

**SHIELDING\***

11 - Honeycomb Baffle

**CAP STYLE**

A - 45°

B - 90°

C - Flush

D - 45° Less Weephole (Interior use only)

E - 90° Less Weephole (Interior use only)

**CONTROLS**

ELV - 13W Dimming Driver (For use with Electronic Low Voltage Dimmer)\*\*

INC - 13W Dimming Driver (For use with incandescent dimmer)\*\*

**INPUT VOLTAGE**

120 - 120 VAC

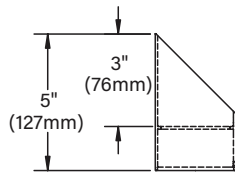
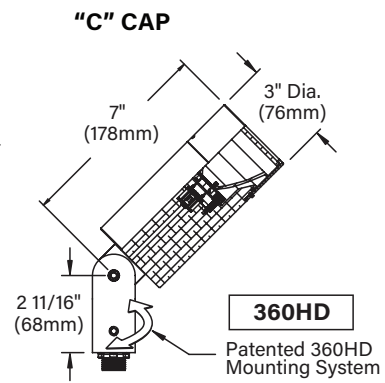
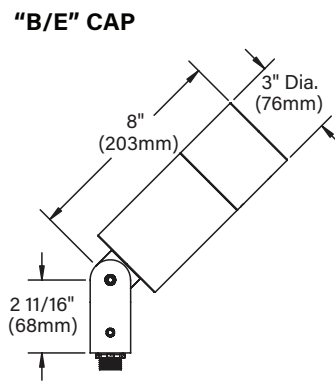
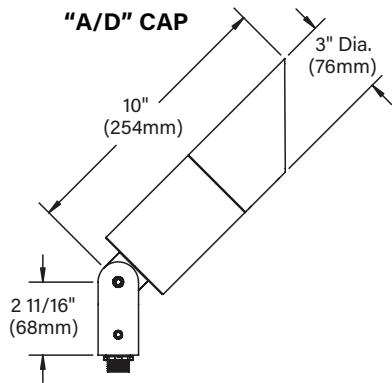
DENALI LED (INTEGRAL)

IP66 RATED

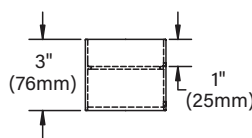
DATE:

PROJECT:

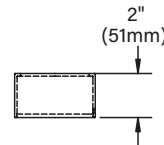
TYPE:



"A"/"D" CAP



"B"/"E" CAP



"C" CAP

STANDARD FINISHES



[Click Here](#) to view larger, full-color swatches of all available finishes on our website.

PREMIUM FINISHES



**B-K LIGHTING**

MADE IN THE USA

559.438.5800 | INFO@BKLIGHTING.COM | BKLIGHTING.COM



POWER PIPE

ORDER FIXTURE SEPARATELY.

DATE:

PROJECT:

TYPE:

CATALOG NUMBER LOGIC:



\*Includes stake, not available with Junction Box or transformer.

\*\*75W max. electronic transformer allows up to 10' spacing between fixtures. For use with MR16 LED Lamp fixtures

\*\*\*105-300 VAC, 50/60 Hz. non-dimming. For use with LED fixtures.

\*\*\*\*Non-dimming.

CATALOG NUMBER LOGIC

Example: PP - S12 - TRSS75 - BZW - B - 120 -SF

MATERIAL

(Blank) - Aluminum B - Brass S - Stainless Steel

SERIES

PP - Power Pipe System

TYPE

S12 - 12" Stake

S18 - 18" Stake

J12 - 12" Junction Box

J18 - 18" Junction Box

A18 - 18" Adjustable Stem\*

TRANSFORMER HOUSING

(Blank) - Less Transformer Housing

TRSS75 - 75VA Electronic Transformer with Housing\*\* For use with MR16 lamps only

TRe20 - TRe20 Electronic Transformer with Housing\*\*\* For use with 3-7W fixtures only

FINISH

Standard Finishes (BZP, BZW, BLP, BLW, WHP, WHW, SAP, VER)

Premium Finish (ABP, AMG, AQW, BCM, BGE, BPP, CAP, CMG, CRI, CRM, HUG, MDS, NBP, OCP, RMG, SDS, SMG, TXF, WCP, WIR)

(Also available in RAL Finishes. See submittal SUB-1439-00)

Brass Finishes (MAC, POL, MIT)

Stainless Steel Finishes (MAC, POL)

CAP STYLE

(Blank) - Less Cap (Adjustable stem only)

B - Single Hole Cap

C - Solid Cap

INPUT VOLTAGE

(Blank) - For use with TRe20 Electronic Transformer\*\*\*

120 - 120 VAC (For use with TRSS75)

230 - 230 VAC\*\*\*\* (Electronic only, for use with TRSS75)

277 - 277 VAC\*\*\*\* (For use with TRSS75)

OPTIONS

SF - Stability Flange

POWER PIPE

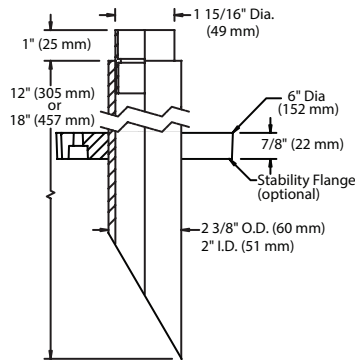
ORDER FIXTURE SEPARATELY.

DATE:

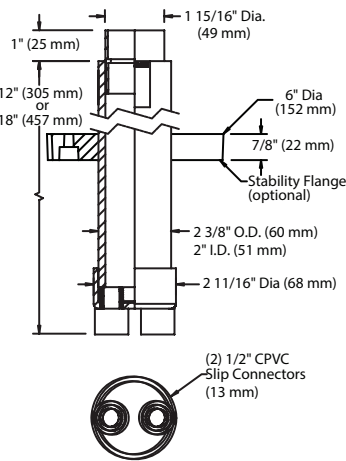
PROJECT:

TYPE:

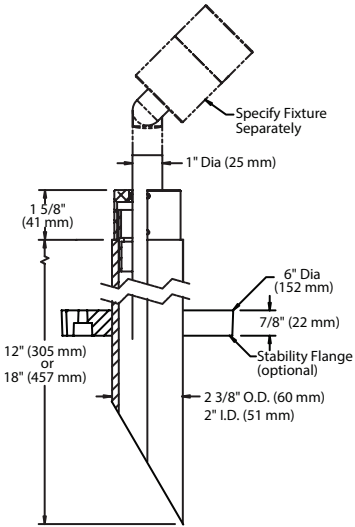
STAKE(S)



JUNCTION(J)

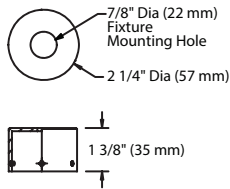


ADJUSTABLE STEM (A)

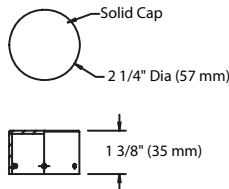


CAP STYLES

'B' Cap (Single Hole)

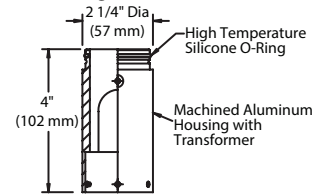


'C' Cap (Solid Cap)



TRANSFORMER

Transformer with Housing



STANDARD FINISHES



PREMIUM FINISHES



[Click Here](#) to view larger, full-color swatches of all available finishes on our website.

**B-K LIGHTING**

MADE IN THE USA

559.438.5800 | INFO@BKLIGHTING.COM | BKLIGHTING.COM

# LUMENPOD® 28 ASYMMETRIC

ANOTHER LUMENRAIL® COMPONENT FOR LIFE SAFETY AND LIGHT.

The evolution of the handrail point source from Wagner Architectural Systems has performance that leverages the latest LED technology and manufacturing techniques. This USA engineered and manufactured luminaire is designed for pathway, stair and ramp illumination. Both the asymmetric and symmetric versions have optical characteristics developed specifically for these applications. The Lumenpod 28 provides a flush-profile architectural solution for new or retrofit projects, including egress compliance opportunities. Superior harsh environment protection and vandal resistance are combined with a straight forward, push-in installation.



- Cast solid 316 stainless steel face
- Superior installation in a variety of rail diameters
- 122 lumens per watt LED
- Rectilinear distribution promotes uniformity
- Dramatic backlight cutoff from effective shielding
- IK9 impact rating and secure installation
- 24VDC operation
- ETL wet location listed
- L70 = 50,000 hours +
- IP68 ingress protection
- Standard in 4 CCT whites and solid colors
- Wildlife amber
- Patent Pending, **USA** Design, Manufacturing and Engineering

# LUMENPOD® 28 ASYMMETRIC

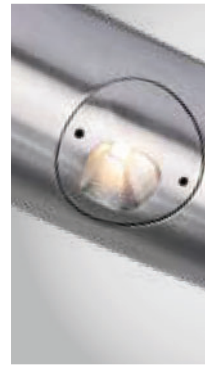
PROJECT NAME: \_\_\_\_\_

REP AGENCY: \_\_\_\_\_

APPROX. QUANTITY: \_\_\_\_\_



SCAN QR CODE  
for technical information, downloads, instructions,  
and system configuration guides




LUMENPOD® 28  
ANOTHER  
LUMENRAIL®  
COMPONENT  
FOR LIFE SAFETY  
AND LIGHT.

MADE IN THE USA

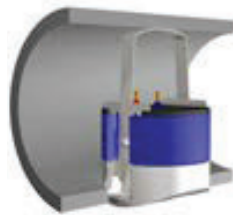
## PART NUMBER BUILDER

LULR6640KA5	LULR			A		
EXAMPLE	FIXTURE TYPE	RAIL SIZE	COLOR TEMP	OPTIC	DRIVE CURRENT	
	LULR - Lumenpod 28	50 - 1.50" (38mm) Dia .120" Wall Tube 66 - 1.66" (42mm) Dia Schedule 40 Pipe 90 - 1.90" (48mm) Dia Schedule 40 Pipe	27K - 2700° K 30K - 3000° K 40K - 4000° K 50K - 5000° K	BLU - Blue GRN - Green RED - Red AMB - Wildlife Amber	A - ASYMMETRIC	5 - 500 mA 3 - 350 mA

## ELECTRICAL SPECIFICATIONS

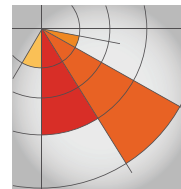
 All electrical connections to be made by a qualified electrician in accordance with all national, state and local electrical codes.	24VDC INPUT VOLTAGE	ETL LISTED WET, IK9, IP68 CERTIFICATIONS	0-10V INPUT DIMMING	-40°F TO +120°F OPERATING TEMP
	CLASS 2 REQUIRED DRIVER	5 YEARS WARRANTY	UP TO 122 Lm/W LED EFFICIENCY	80+ CRI

## CONSTRUCTION



The Lumenpod 28's machined aluminum body dissipates heat while the cast stainless face integrates seamlessly with the rail. A precisely engineered retention spring positions it perfectly flush with standard diameter handrail. Removal is achieved only with our unique tool, solidifying a tamper resistant installation.  
Patent Pending.

## PHOTOMETRICS



Asymmetric performance is design specific and provides superb illumination results in any application. IES reports to view or download are available by scanning the QR code or visiting our website.

### LED DRIVER & NEMA ENCLOSURE OPTIONS

Wagner offers multiple ETL listed options for both 24VDC power supplies and NEMA enclosures. Quantities and types will be configured based on your specifications and design. Additional specification options are available by request. Not all options apply to all products, please verify compatibility with the factory.

#### CLASS II DRIVERS:

- STD 100W
- Dali, DMX, 0-10V Dimming Protocols
- Multiple Wattages
- Made in USA Units Available

#### NEMA ENCLOSURES:

- 4X - Plastic, Painted Steel or Stainless Steel
- LUMENPOST™:**  
Integrated 100W, 0-10V DIM

Specifications may change without prior notice, verify data at time of order, all rights reserved